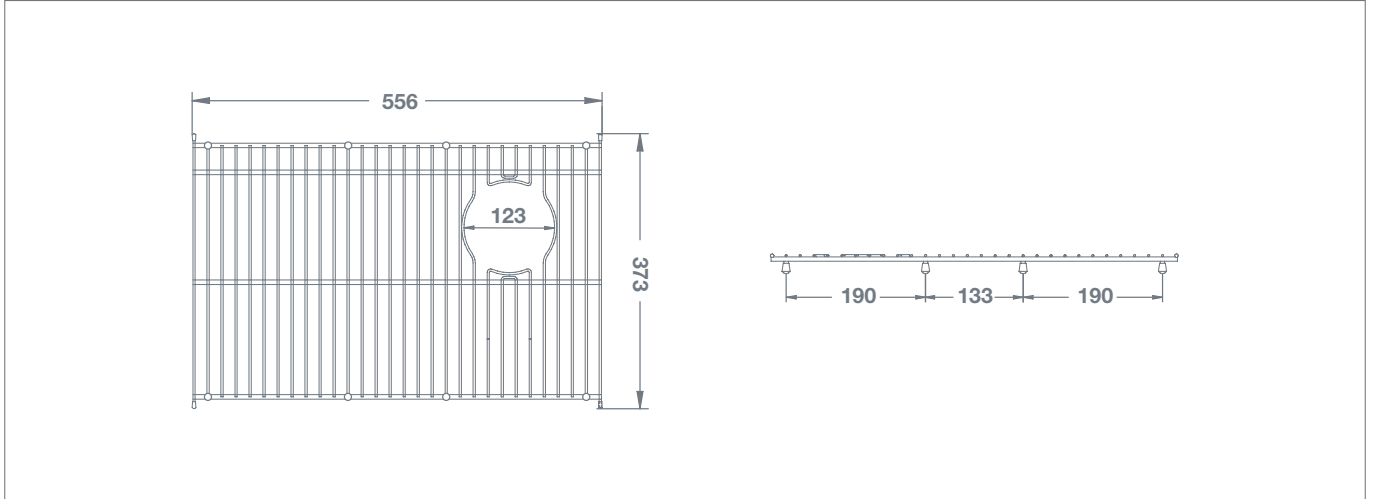


Grid Type 6



		Dimensions			
Grid Type 6	FT0600010	(mm)	556	373	26



BATHROOM COLLECTIVE

Phone Number: (02) 9011-5711

Features include:

- Added protection, designed specifically for Shaws sinks.
- Doubles as a draining rack.
- Rigid and durable 304 grade stainless steel sink grid.
- Non-slip black rubber feet.
- Suits Edgworth sink (left bowl).
- 12 month warranty. Visit Shaws website for more details.