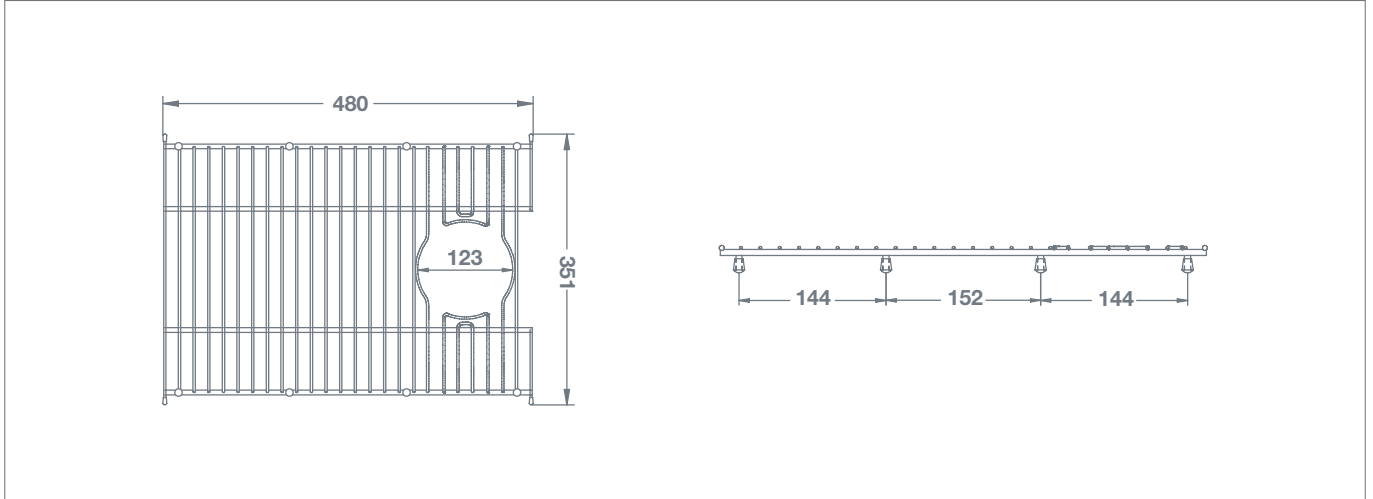


Grid Type 2



		Dimensions			
Grid Type 2	FT0200010	(mm)	480	351	26



BATHROOM COLLECTIVE

Phone Number: (02) 9011-5711

Features include:

- Added protection, designed specifically for Shaws sinks.
- Doubles as a draining rack.
- Rigid and durable 304 grade stainless steel sink grid.
- Non-slip black rubber feet.
- Suits Belfast sink.
- 12 month warranty. Visit Shaws website for more details.