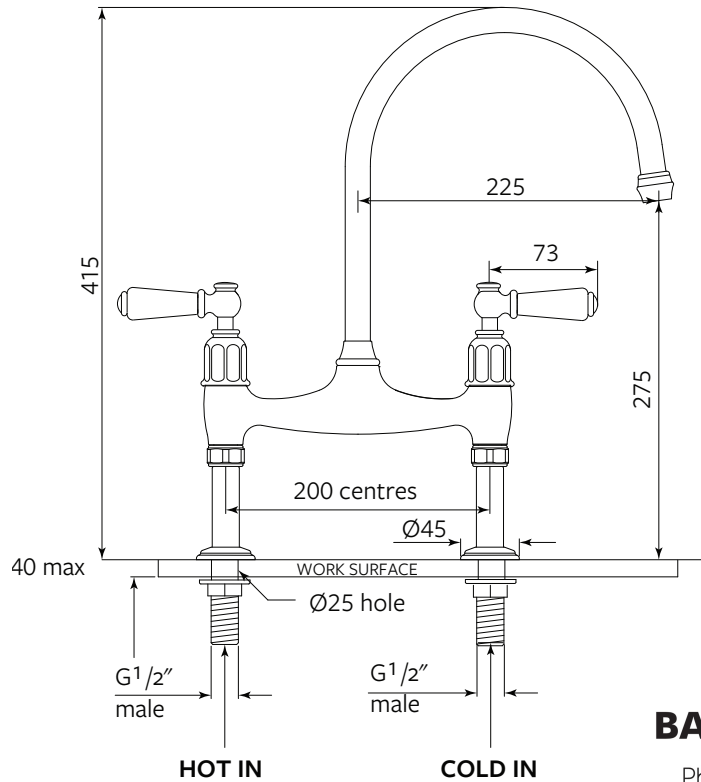


Pendleton

AUSH.4193



BATHROOM COLLECTIVE

Phone Number: (02) 9011-5711

MODEL	CODE
Pendleton - Chrome	AUSH.4193CPWPC/H1
Pendleton - Nickel	AUSH.4193NIWPC/H1
Pendleton - Pewter	AUSH.4193PFWPC/H1
Pendleton - English Bronze	AUSH.4193EBWPC/H1
Pendleton - Satin Brass	AUSH.4193SBWPC/H1
Pendleton - Polished Brass	AUSH.4193BRWPC/H1
Pendleton - Gold	AUSH.4193IGWPC/H1

Also Available: Pendleton with Spray Rinse (AUSH.4173) Please note, spray rinse cannot be added to the standard mixer.



Features include:

- Handcrafted in the United Kingdom using DZR brass
- White porcelain handles with Shaws insignia indices
- 1/4 turn German ceramic disc flow control
- Vernier insert for accurate handle alignment
- 15 Year warranty. Please visit our website for individual finish warranties

Temperature range: Min 1°C. Max 70°C

Working Pressure: Min 1 Bar/15psi. Max 5 Bar/75psi

Packed Weight: 3.3kg

Flow Rates: 1 Bar: 9L/min

2 Bar: 13.2L/min

3 Bar: 15.4L/min



WaterMark

ASINZS 3718
WMKA02818
SAI Global

In accordance with AS/NZS 4188
Licence No. 1938
Perrin & Rowe
tapware

