

SHADOWLINE DIFFUSER ROUND

Circular flangeless internal grille

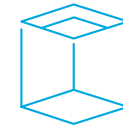
Shadowline Diffuser Round	Shadowline Diffuser Round with Plenum Box, White ABS	1SLD260R
----------------------------------	--	----------

Compatible Expella ventilation kits (sold separately):

Standard Inline Exhaust Kit	1406530
Quiet Flow Inline Exhaust Kit	1406220
Quiet Flow Multi Inline Exhaust Kit	1406340
Roof Exhaust Kit	1406500

The Shadowline Diffuser Round is a flangeless internal ceiling grille that allows air to be channelled through ventilation systems. The diffuser has a round profile with a centre panel that is ready for painting, resulting in a discreet finish that matches the ceiling. Designed in Australia by Expella, it has been engineered to optimise airflow and efficiency.

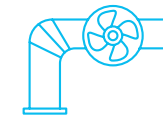
expella™



Discreet internal grille designed to be set into the ceiling for a streamlined surface



Centre panel that is ready to be painted to match the ceiling for a consistent finish



Suitable for inline ventilation systems

BATHROOM COLLECTIVE

Phone Number: (02) 9011-5711

SHADOWLINE DIFFUSER ROUND

Circular flangeless internal grille



PRODUCT FEATURES

- Sits flush with the ceiling once installed
- Fine textured centre panel finish (resembling gyprock) that is ready for painting, to provide a finish that is consistent with the ceiling
- Designed to optimise air flow and improve ventilation system efficiency
- Manufactured from durable, non-corrosive and high-quality ABS plastic – an ideal material for channelling damp air
- Low profile design for restricted ceiling space
- Easy to install
- Low 148mm profile, ideal for restricted ceiling space
- Acts as a service panel for system maintenance
- Easy to clean, simply wipe with a damp cloth as required
- Designed and engineered in Australia by Expella

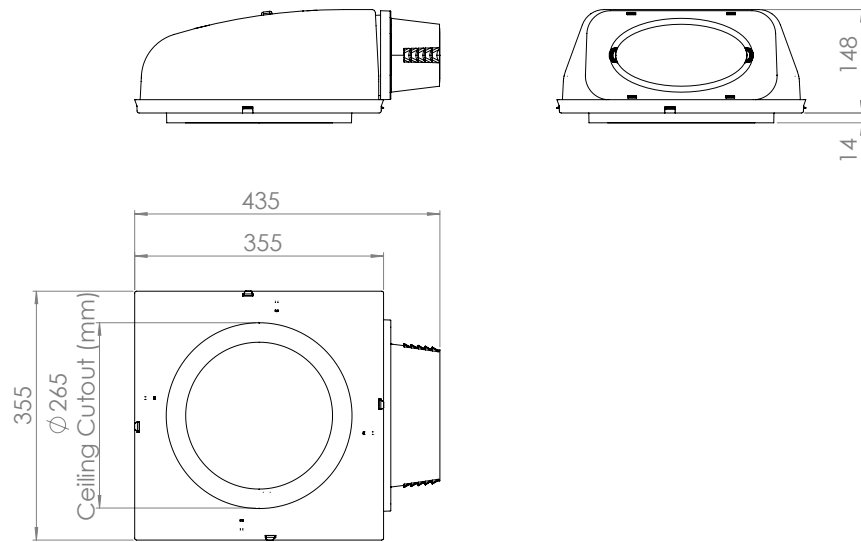
SPECIFICATIONS

Suitable applications	Bathroom and laundry exhaust grilles for inline ventilation systems																		
Material	ABS Plastic, centre panel has a slightly textured finish to resemble gyprock																		
Compatible duct size (mm)	<ul style="list-style-type: none"> • 150mm flexible duct (sold separately) • 200mm flexible duct (200mm diameter spigot and duct sold separately) 																		
Product contents	<ul style="list-style-type: none"> • Centre panel (round) • 150mm oval spigot • Round Base Plate with fixing lugs (x4) • Cable tie (x1), • Mounting tab (x1) • 20mm screws (x4) 																		
Options (sold separately)	<ul style="list-style-type: none"> • 200mm diameter spigot (sold separately) • Insulated options for air conditioning 																		
Design	Designed by Expella Aust. Design Registration: 202411822 and 202411823																		
Performance	<p>— System pressure (Pa)</p> <table border="1"> <caption>Performance Data (Estimated from Graph)</caption> <thead> <tr> <th>Volume (Litres/second)</th> <th>System pressure (Pa)</th> </tr> </thead> <tbody> <tr><td>30</td><td>5</td></tr> <tr><td>40</td><td>7</td></tr> <tr><td>50</td><td>10</td></tr> <tr><td>60</td><td>14</td></tr> <tr><td>70</td><td>19</td></tr> <tr><td>80</td><td>25</td></tr> <tr><td>90</td><td>32</td></tr> <tr><td>100</td><td>38</td></tr> </tbody> </table>	Volume (Litres/second)	System pressure (Pa)	30	5	40	7	50	10	60	14	70	19	80	25	90	32	100	38
Volume (Litres/second)	System pressure (Pa)																		
30	5																		
40	7																		
50	10																		
60	14																		
70	19																		
80	25																		
90	32																		
100	38																		

SHADOWLINE DIFFUSER ROUND

Circular flangeless internal grille

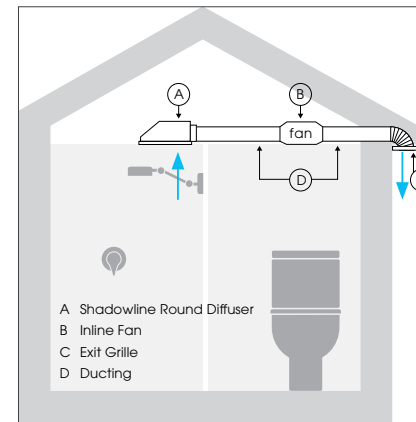
DIMENSIONS



INSTALLATION AND MAINTENANCE

Installation

It is recommended that installation of the Shadowline Diffuser Round is carried out by a qualified tradesperson, it is to be installed as part of an inline ventilation system.



The Shadowline Diffuser Round requires a 265mm diameter circular ceiling cutout. It should be installed prior to the ceiling being installed, as the plenum box is larger than the ceiling cut out.

Please check product specifications with your tradesperson before ordering.

Maintenance

Clean the grille as required with a damp cloth to maintain optimal performance and prevent the buildup of dust and debris.

Warranty

5 year warranty from date of purchase. Refer to Expella's website for full warranty terms and conditions.

expella™

EXPELLA PTY LTD

16 Middleton Road,
Cromer NSW Australia 2099

P +61 2 9981 1622

E info@expella.com.au

@ [@expellaventilation](https://www.facebook.com/expellaventilation)

www.expella.com.au