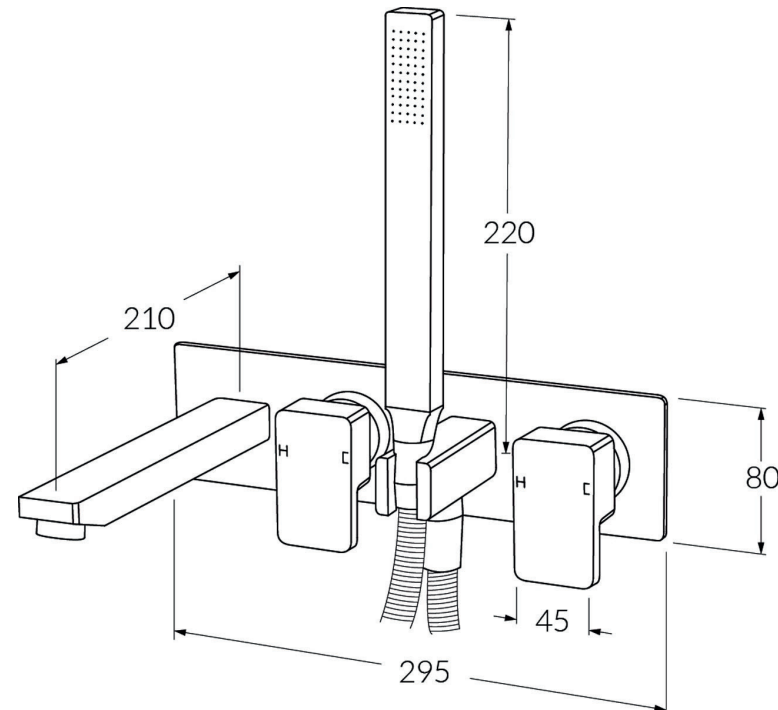


Suba
Lever bath mixer system with hand shower 210mm

SUSSEX



BATHROOM COLLECTIVE

Phone Number: (02) 9011-5711

Product code

BLBMS210RH

Product features

- Designed and manufactured in Australia
- All brass construction
- 35mm ceramic disc cartridge
- Incorporating Sussex Masterfit
- Available in a range of high quality, durable finishes inc. LUXPVD®
- Minimal, refined design to complement any contemporary space
- Matching tapware, showers and accessories

Warranty

15 Year overall warranty.
Refer to Warranty sheet for specific information.

Pressure rating

300 - 500kPa

Temperature rating

1 - 65°C

WELS rating

3 star - 9lt/min



AS/NZS 3718:2005
LIC. 20081

