

## NUMISIA FREESTANDING LIBRARY BATH

### FEATURES:

CRISTALPLANT® MATTE WHITE SOLID SURFACE

OVERFLOW

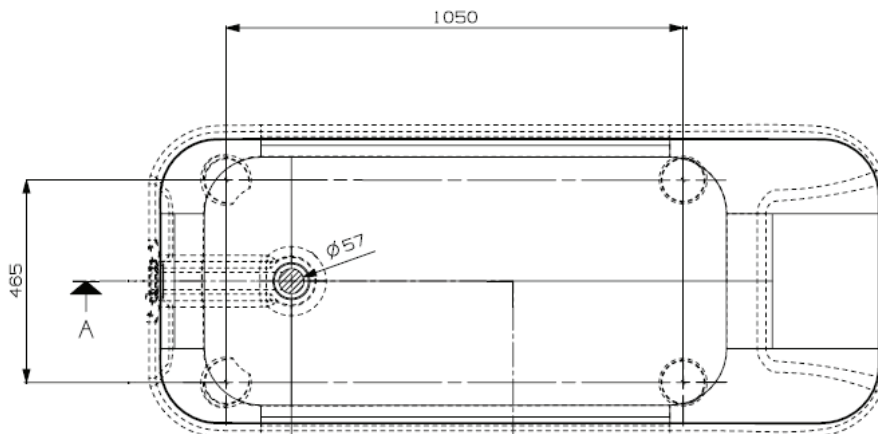
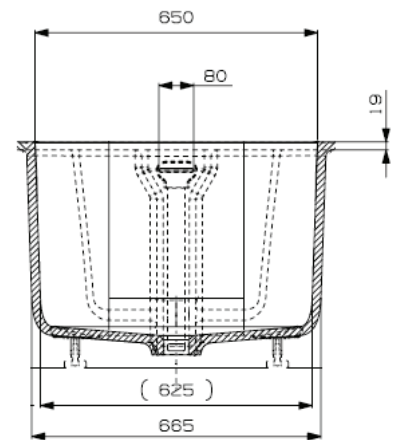
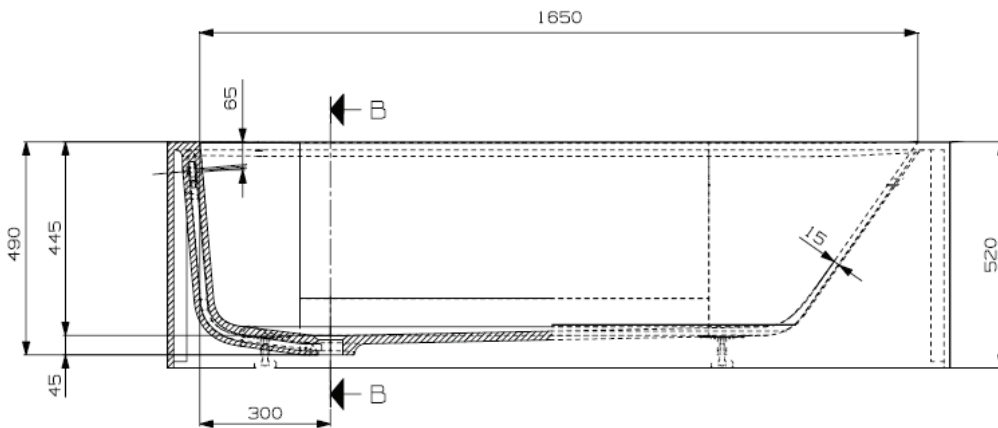
200-240 KG

322 LT CAPACITY

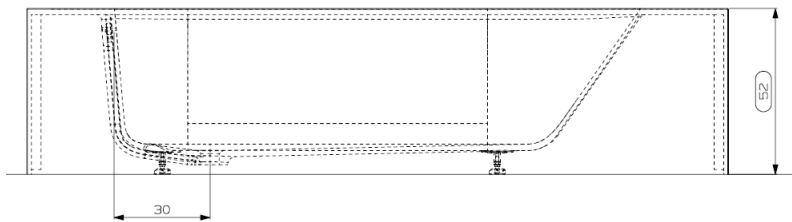
MATTE WHITE WASTE INCLUDED

MADE IN ITALY

Numisia bath are made by Cristalplant® following customer's specifications. Cristalplant is an advanced solid surface material: scratch resistant, strongly UV resistant, non-toxic, completely restorable, hypoallergenic with a natural stone feeling at touch. Due the advanced properties of the material, any imperfections can be easily removed with an abrasive sponge. The coloured finish is applied to the external surface of the bath (the surface not in direct contact with water). All Domus Living products are made in Italy.

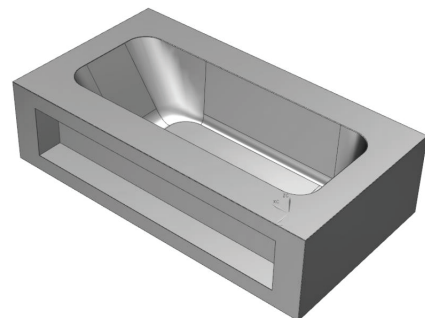
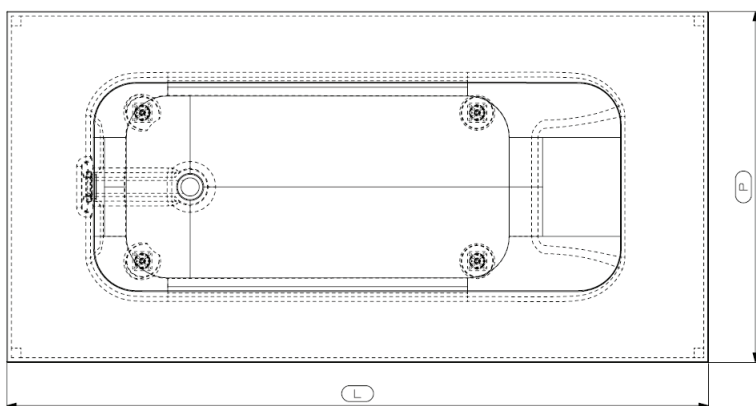


# NUMISIA FREESTANDING LIBRARY BATH

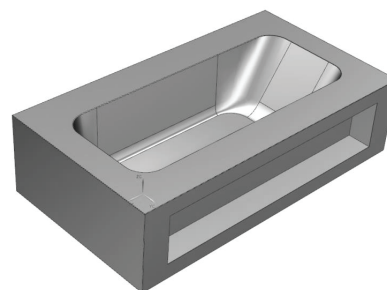


**DIMESIONS:**

- 180 (L) X 80 (P)
- 200 (L) X 100 (P)
- 220 (L) X 110 (P)
- CUSTOM (MIN 180 X 90, MAX 220 X 110)



L



R

**INSTALLATION**  
Freestanding bath

**SIZES**  
Standard and custom size available, refer to next page.

**BOOKCASE**  
Made by Cristalpaint®  
160mm deep  
Bookcase shelves frame: 19mm thickness  
Bookcase shelves are fully customizable, a drawing with the bookcase shelf layout has to be provided.  
The feasibility must always be verified but our sales department.

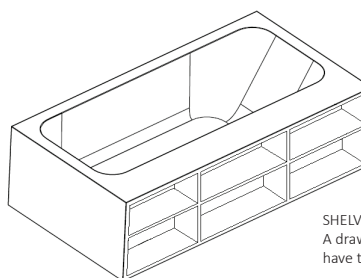
**BOOKCASE FRAME:**  
19mm thickness.

**BOOKCASE SHELVES:**  
19mm thickness

**COLOURS:**  
Standard colours selection are applied to the vertical panel into the bookcase.  
Custom colours are available and applied to the vertical surfaces of the bath.  
The feasibility and the cost must be verified but our sales department.

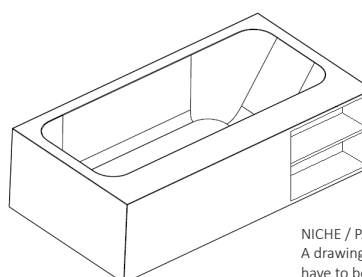
**HOW TO CUSTOMISE THE BOOKCASE**  
Please download the bookcase drawing form form [www.domusliving.com.au](http://www.domusliving.com.au)  
Standard price includes one bookcase for bath: if more than one bookcase is required (ex. bookcase on 2 bath sides) the faesability and cost have to be confirmed by our sales department.

**EXAMPLE OF FULL LIBRARY:**



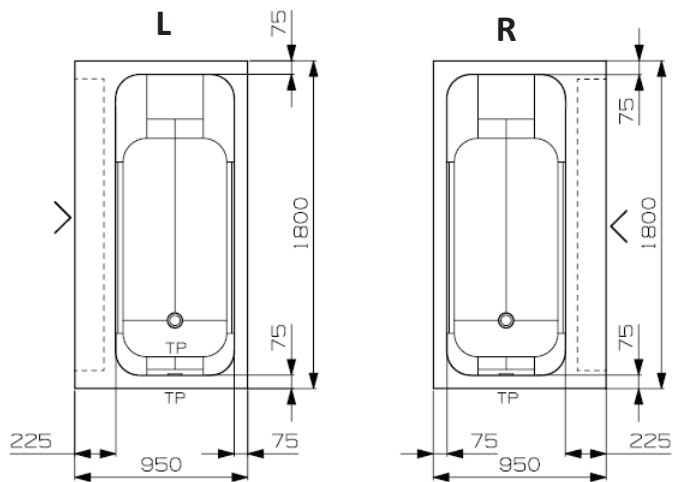
**SHELVES:**  
A drawing with shelves dimensions and design have to be provided with the oder.

**EXAMPLE OF PARTIAL LIBRARY:**

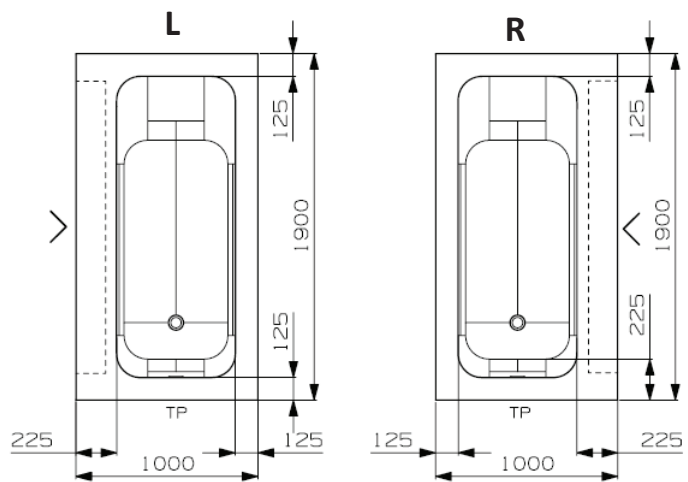


**NICHE / PARTIAL LIBRARY:**  
A drawing with shelves dimensions and design have to be provided with the oder.

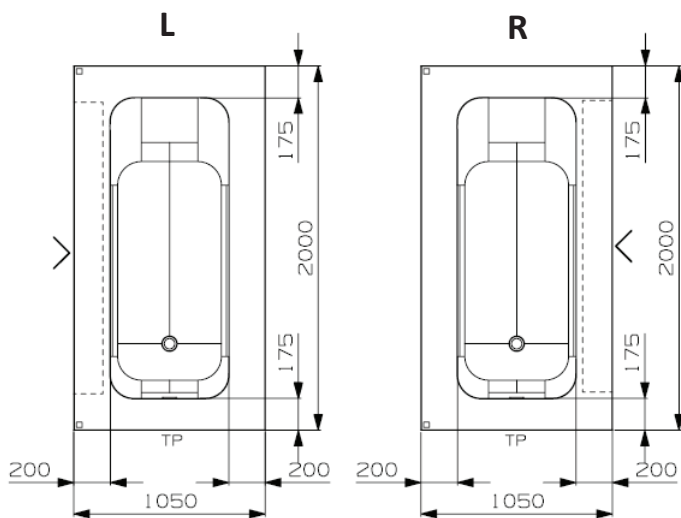
# NUMISIA FREESTANDING LIBRARY BATH



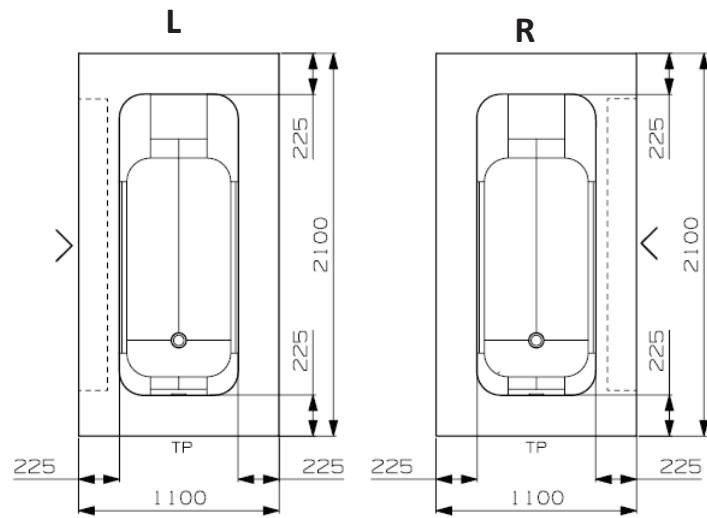
NUMISIA 1800 X 950



NUMISIA 1900 X 100



NUMISIA 2000X1050

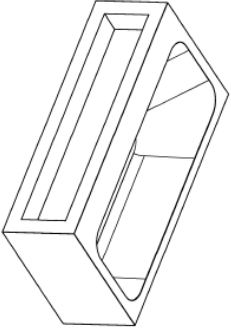
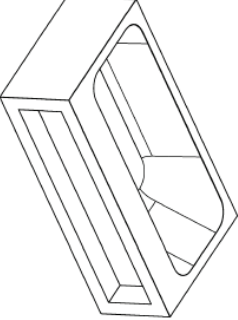
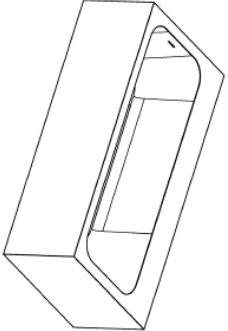
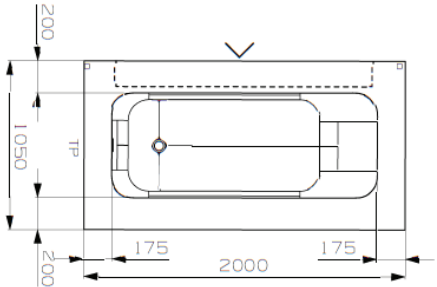
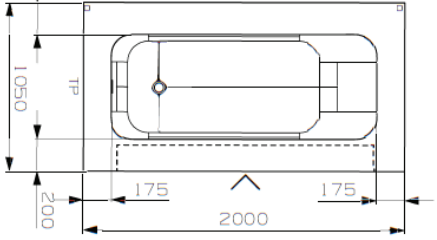
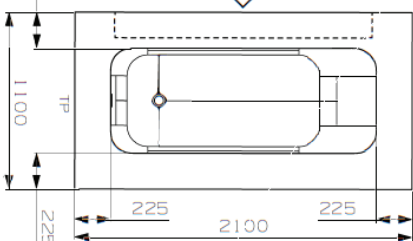
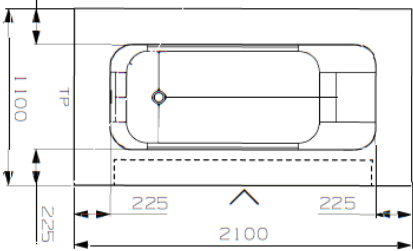
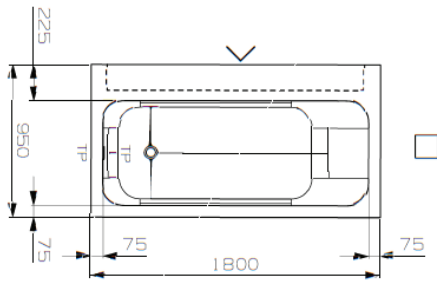
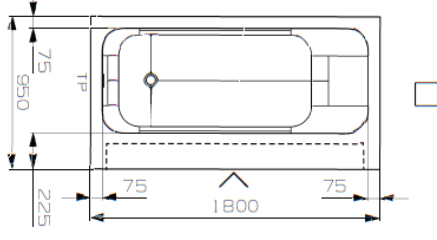
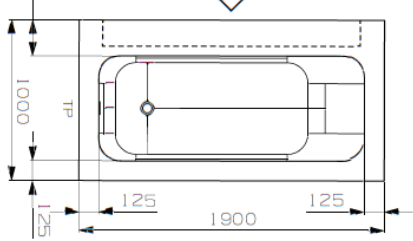
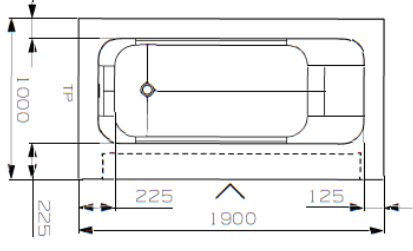


NUMISIA 2100X1100

MODEL - LEFT	CODE	PRICE
(A) LIBRARY 180X90	DLBTNULI1800L	\$9999*
(B) LIBRARY 200x100	DLBTNULI2000L	\$10500
(C) LIBRARY 220x110	DLBTNULI2200L	\$11200
(D) LIBRARY CUSTOM	DDLBTNULI-CUSTOML	\$12200

MODEL - RIGHT	CODE	PRICE
(A) LIBRARY 180X90	DLBTNULI1800R	\$9900
(B) LIBRARY 200x100	DLBTNULI2000R	\$10500
(C) LIBRARY 220x110	DLBTNULI2200R	\$11200
(D) LIBRARY CUSTOM	DLBTNULI-CUSTOMR	\$12200

# NUMISA FREESTANDING ORDER FORM

<p>SINISTRA - LEFT</p>  <p>H. 500</p> <p>DESTRA - RIGHT</p>  <p>VISTA RETRO - BACK SIDE</p> 	<p>NUMISA LIBRARY FREESTANDING BATH</p>    	<p>MISURE STANDARD - STANDARD SIZE</p>    	<p>*****                  MISURE PERSONALIZZATE                  CUSTOMIZED SIZE                  *****</p>
<p>CLIENTE/ Clienti: _____</p> <p>RIF. CLIENTE/ Client reference: _____</p> <p>N. COMMESSA/ Production order: _____</p>	<p>COMPLETARE LA SCHEDA CON LE INFORMAZIONI RICHIESTE                  COMPLETE THE FORM WITH THE INFORMATION REQUIRED</p> <p>L = _____ P = _____</p> <p>A = _____ X = _____</p> <p>B = _____ Y = _____</p>	