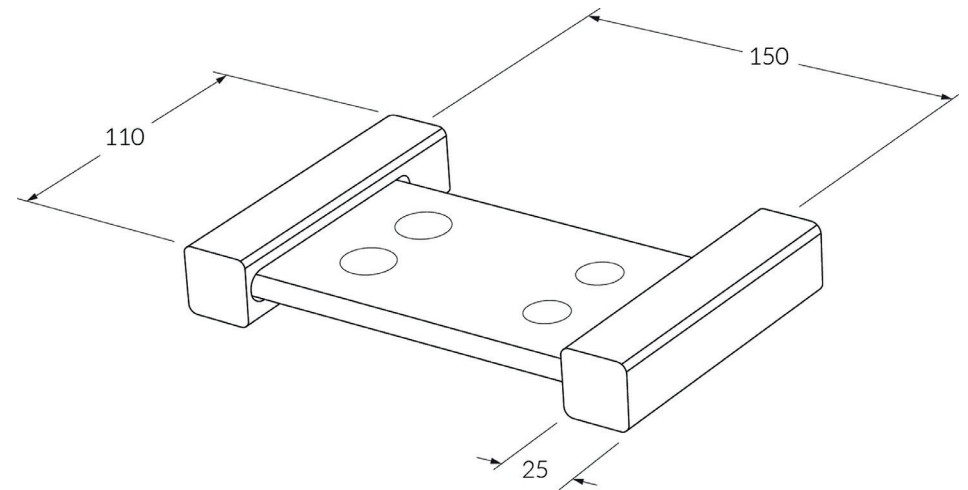


# Suba Toothbrush holder

SUSSEX



## Product code

BTBH

## Product features

- Designed and manufactured in Australia
- All brass construction
- 2 point fixings
- Available in a range of high quality, durable finishes inc. LUXPVD®
- Minimal, refined design to complement any contemporary space
- Matching tapware, showers and accessories

## Warranty

15 Year overall warranty.  
Refer to Warranty sheet for  
specific information.

**BATHROOM COLLECTIVE**

Phone Number: (02) 9011-5711