

HW - SERIES TOWEL RAILS



HYDROTHERM
T O W E L R A I L S

ver. 2021-3

BATHROOM COLLECTIVE

Phone Number: (02) 9011-5711

HW - SERIES TOWEL RAIL

The HW Series combines sleek design and superb functionality. Its additional clustered bars provide enhanced towel warming and drying. HW Series models can also be used to deliver ambient bathroom heating .



HW2 MODEL

Standard Height

820mm + Valve Connection

Available Widths

400, 500, 600, 700, 800, 900mm

Output

0.3 - 0.55 kW



HW3 MODEL

Standard Height

1270mm + Valve Connection

Available Widths

400, 500, 600, 700, 800, 900mm

Output

0.6 - 0.85 kW



HW4 MODEL

Standard Height

1720mm + Valve Connection

Available Widths

400, 500, 600, 700, 800, 900mm

Output

0.90 - 1.15 kW

STANDARD SPECIFICATIONS

Tube Diameter

Vertical 32mm /
Horizontal 19mm

Materials

Copper tube with
brass fittings

Connection

Right angle hydronic
valve set

Standards

AS/NZS:3350

FINISHES & POWDER COAT OPTIONS



Polished Chrome



Matt Black



Brushed Nickel

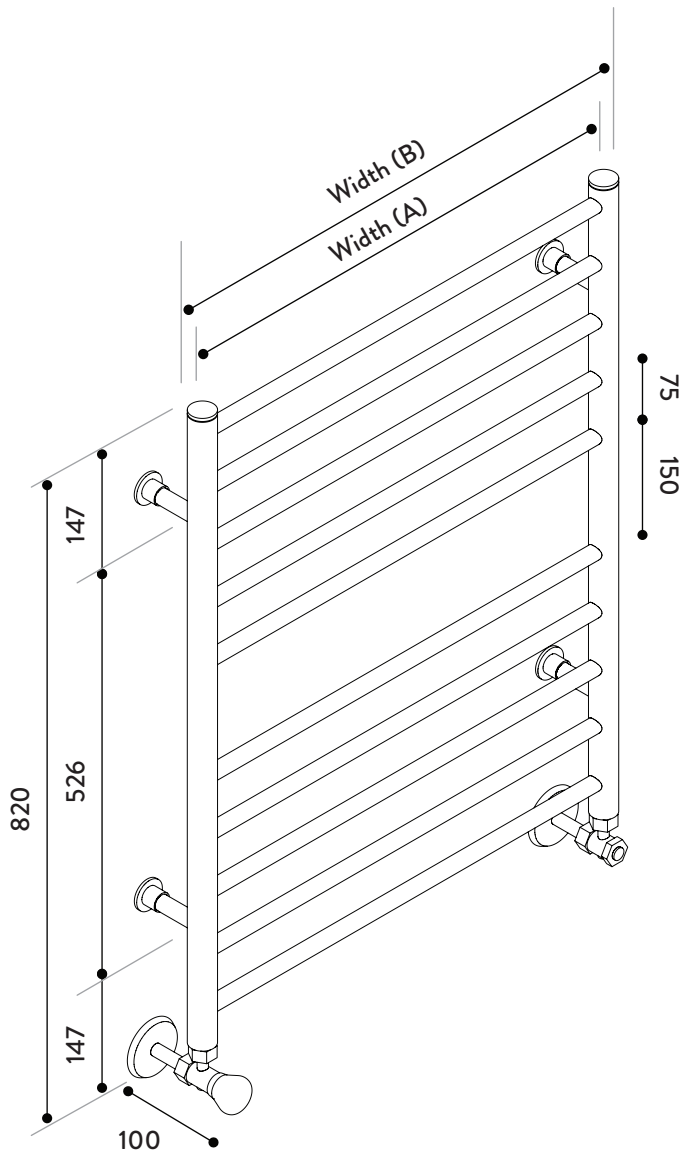
Custom Colours available upon request



PROUDLY AUSTRALIAN
MADE AND OWNED

Widths measured from centre to centre of vertical tube. Allow an extra 40mm in total when measuring total width of unit mounted.

HW2 MODEL Hydronic



SPECIFICATIONS

Height

820mm + Valve Connection

Width Options

400, 500, 600, 700, 800, 900mm

Tube Diameter

Vertical 32mm / Horizontal 19mm

Finishes

Electroplate / Powder Coat

Output

0.3 - 0.55 kW

Materials

Copper tube with brass fittings

Standards

AS/NZS:3350

KEY FEATURES

Local Product

100% Australian owned and manufactured

Copper Tube

Ensures ultimate thermal conductivity and radiant heat

Efficient Design

Additional clustered bars provide enhanced heat transfer, ideal for drying and warming towels.

Subject to sizing, can be used to provide ambient heat

VARIATIONS

Electric	Height	Width (A)	Width (B)	Chrome Output	P/Coat Output
HW2/400	820mm	400mm	440mm	0.3 - 0.55kW	0.3 - 0.55kW
HW2/500	820mm	500mm	540mm	0.3 - 0.55kW	0.3 - 0.55kW
HW2/600	820mm	600mm	640mm	0.3 - 0.55kW	0.3 - 0.55kW
HW2/700	820mm	700mm	740mm	0.3 - 0.55kW	0.3 - 0.55kW
HW2/800	820mm	800mm	840mm	0.3 - 0.55kW	0.3 - 0.55kW
HW2/900	820mm	900mm	940mm	0.3 - 0.55kW	0.3 - 0.55kW



PROUDLY AUSTRALIAN
MADE AND OWNED

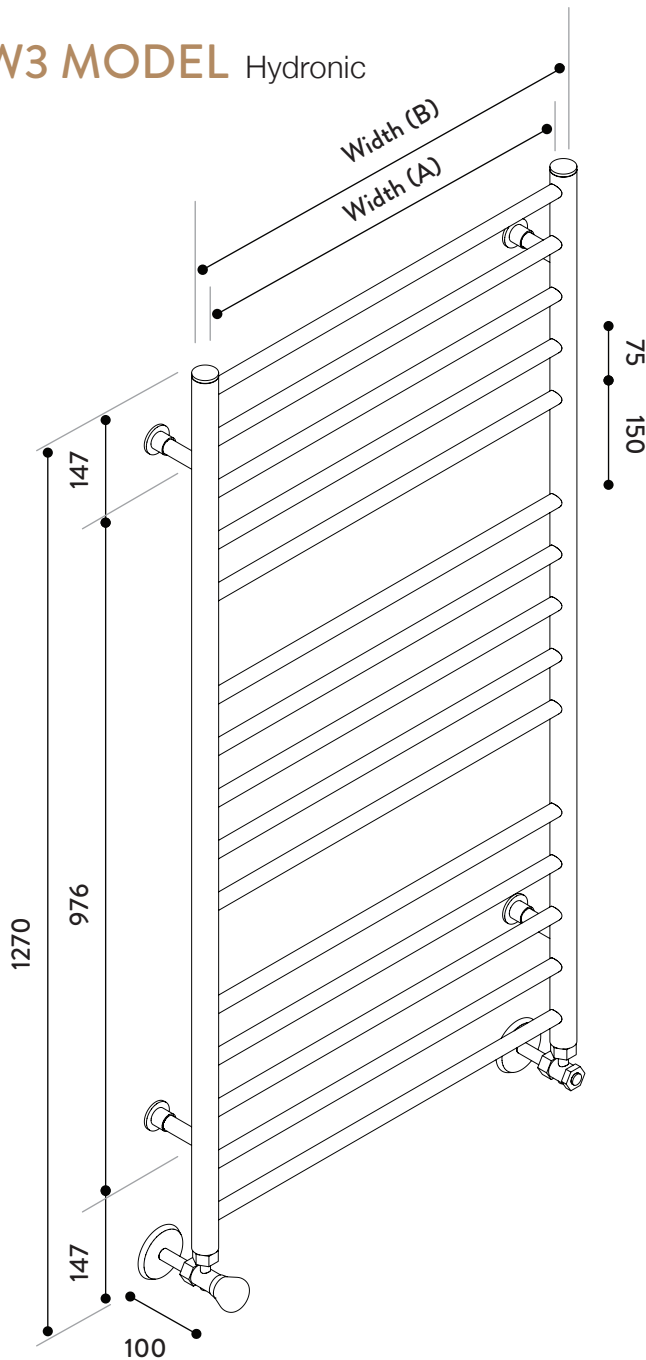


3 YEAR
ELECTRIC ELEMENT
MANUFACTURERS WARRANTY



10 YEAR
CONSTRUCTION & FINISH
MANUFACTURERS WARRANTY

HW3 MODEL Hydronic



SPECIFICATIONS

Height

1270mm + Valve Connection

Width Options

400, 500, 600, 700, 800, 900mm

Tube Diameter

Vertical 32mm / Horizontal 19mm

Finishes

Electroplate / Powder Coat

Output

0.6 - 0.85 kW

Materials

Copper tube with brass fittings

Standards

AS/NZS:3350

KEY FEATURES

Local Product

100% Australian owned and manufactured

Copper Tube

Ensures ultimate thermal conductivity and radiant heat

Efficient Design

Additional clustered bars provide enhanced heat transfer, ideal for drying and warming towels.

Subject to sizing, can be used to provide ambient heat

VARIATIONS

Electric	Height	Width (A)	Width (B)	Chrome Output	P/Coat Output
HW3/400	1270mm	400mm	440mm	0.3 - 0.55kW	0.3 - 0.55kW
HW3/500	1270mm	500mm	540mm	0.3 - 0.55kW	0.3 - 0.55kW
HW3/600	1270mm	600mm	640mm	0.3 - 0.55kW	0.3 - 0.55kW
HW3/700	1270mm	700mm	740mm	0.3 - 0.55kW	0.3 - 0.55kW
HW3/800	1270mm	800mm	840mm	0.3 - 0.55kW	0.3 - 0.55kW
HW3/900	1270mm	900mm	940mm	0.3 - 0.55kW	0.3 - 0.55kW



**PROUDLY AUSTRALIAN
MADE AND OWNED**

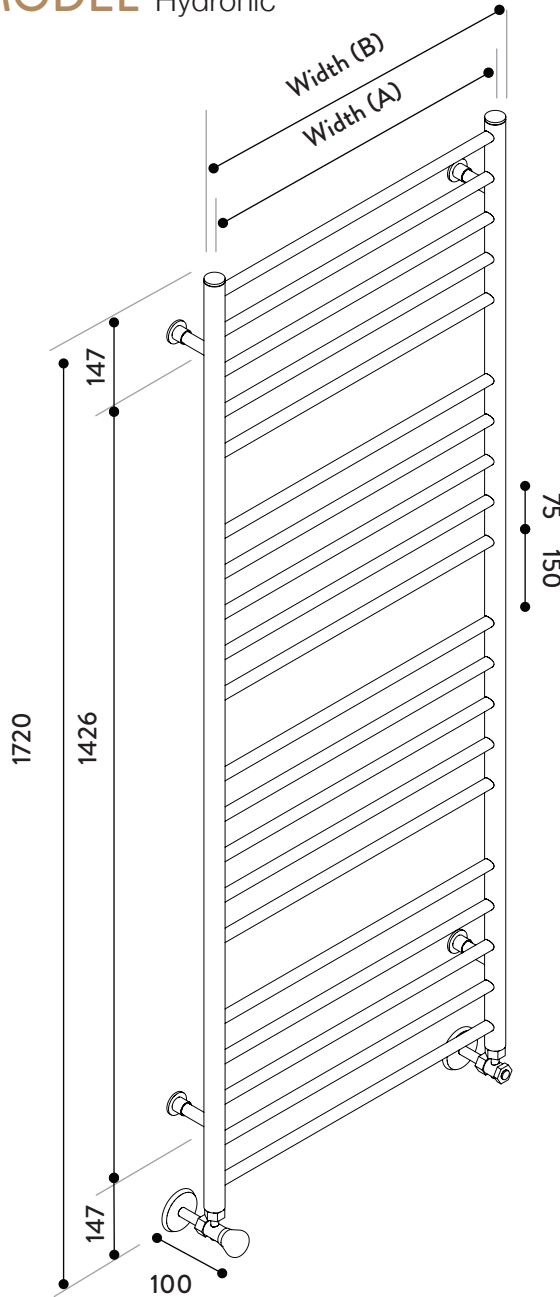


**3 YEAR
ELECTRIC ELEMENT
MANUFACTURERS WARRANTY**



**10 YEAR
CONSTRUCTION & FINISH
MANUFACTURERS WARRANTY**

HW4 MODEL Hydronic



SPECIFICATIONS

Height

1720mm + Valve Connection

Width Options

400, 500, 600, 700, 800, 900mm

Tube Diameter

Vertical 32mm / Horizontal 19mm

Finishes

Electroplate / Powder Coat

Output

0.90 - 1.15 kW

Materials

Copper tube with brass fittings

Standards

AS/NZS:3350

KEY FEATURES

Local Product

100% Australian owned and manufactured

Copper Tube

Ensures ultimate thermal conductivity and radiant heat

Efficient Design

Additional clustered bars provide enhanced heat transfer, ideal for drying and warming towels.

Subject to sizing, can be used to provide ambient heat

VARIATIONS

Electric	Height	Width (A)	Width (B)	Chrome Output	P/Coat Output
HW4/400	2100mm	400mm	440mm	0.3 - 0.55kW	0.3 - 0.55kW
HW4/500	2100mm	500mm	540mm	0.3 - 0.55kW	0.3 - 0.55kW
HW4/600	2100mm	600mm	640mm	0.3 - 0.55kW	0.3 - 0.55kW
HW4/700	2100mm	700mm	740mm	0.3 - 0.55kW	0.3 - 0.55kW
HW4/800	2100mm	800mm	840mm	0.3 - 0.55kW	0.3 - 0.55kW
HW4/900	2100mm	900mm	940mm	0.3 - 0.55kW	0.3 - 0.55kW



PROUDLY AUSTRALIAN
MADE AND OWNED

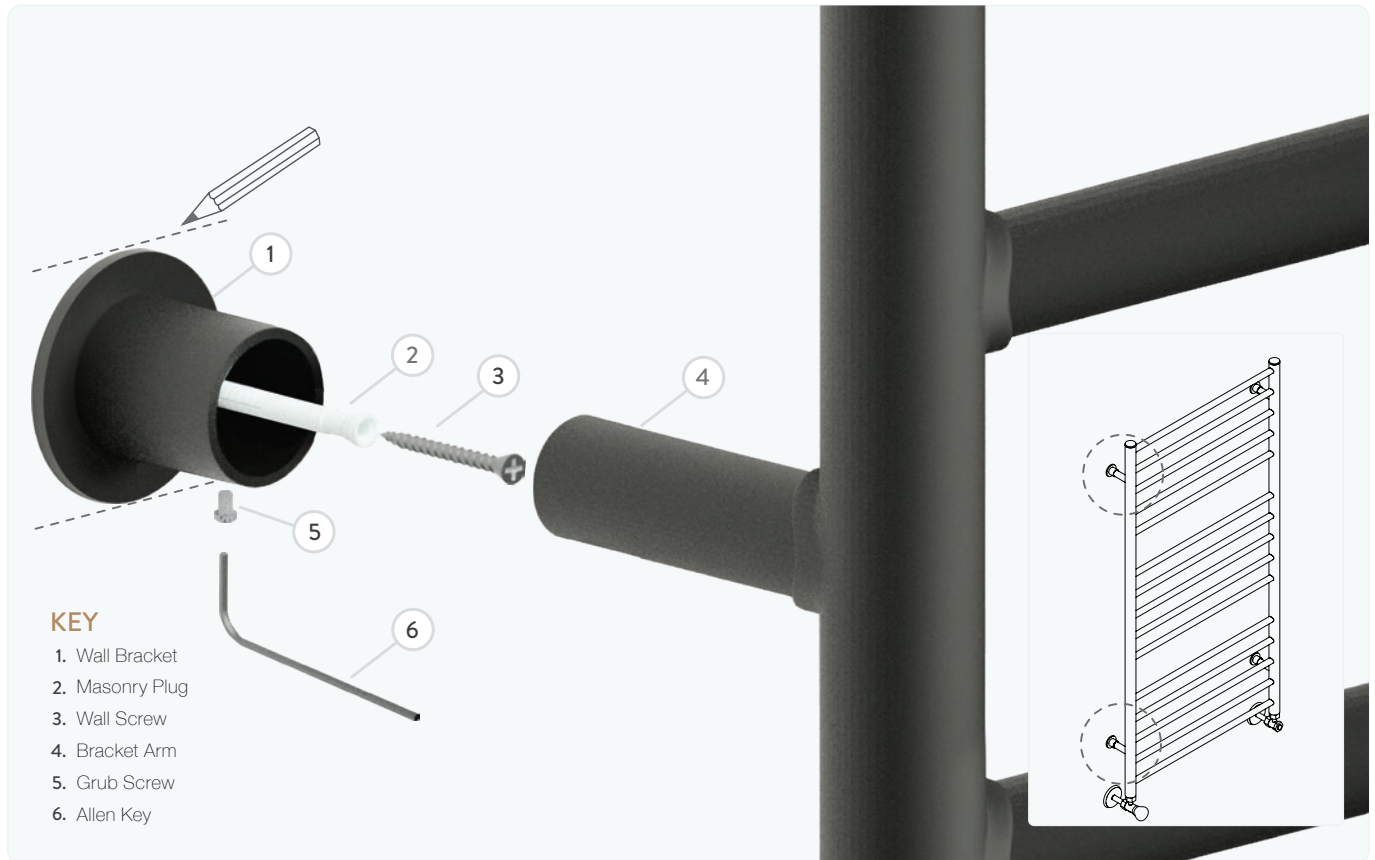


3 YEAR
ELECTRIC ELEMENT
MANUFACTURERS WARRANTY



10 YEAR
CONSTRUCTION & FINISH
MANUFACTURERS WARRANTY

INSTALLING BRACKETS



DIRECTIONS

1. Slide the **Wall Bracket** into the **Bracket Arm** and hold up to the wall in position.
2. With a pencil, outline the **Wall Bracket** in the desired position and remove from the wall.
3. Using a pencil and the **Wall Bracket**, mark the centre screw hole and cross it for accuracy.
4. Drill a hole for the **Wall Screw** and insert nylon plug into tiled wall (if applicable). Installer may choose to use alternative screws to suit the application.
5. Position **Wall Bracket** so that the **Grub Screw** hole faces directly down towards the floor and place **Wall Screw** into the wall.
6. When all of the **Wall Brackets** are in place, slide the **Towel Rail** into position towards the wall, until **Bracket Arm** reaches the **Wall Bracket**.
7. Insert **Grub Screw** through **Bracket Arm** and into **Wall Bracket**.
8. With the **Allen Key** provided, tighten the **Grub Screw** until tight to ensure that towel rail stays in position.

DO NOT OVERTIGHTEN SCREW - LEAVE SLIGHT ADJUSTMENT OF THE FLANGE (SLACK) TO ENABLE MOVEMENT WHEN THE TOWEL RAIL IS POSITIONED.



WARNINGS

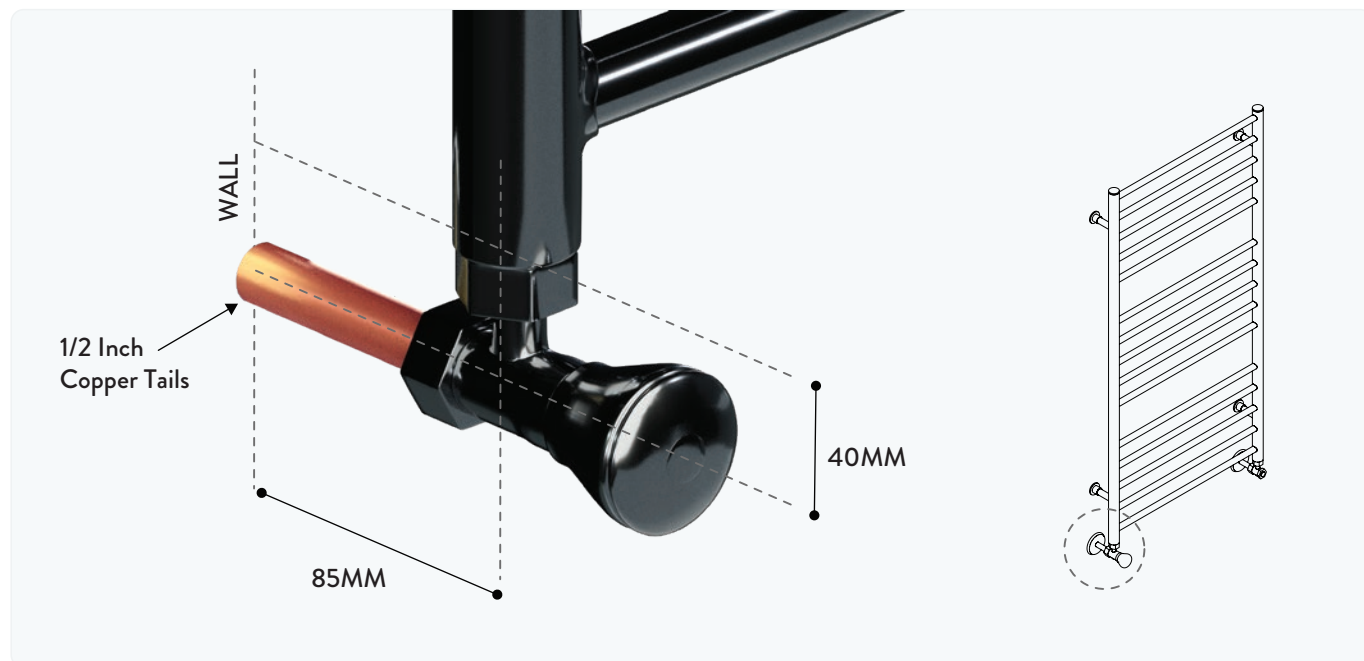
THIS APPLIANCE IS NOT INTENDED FOR USE BY YOUNG CHILDREN OR INFIRM PERSONS WITHOUT SUPERVISION. YOUNG CHILDREN SHOULD BE SUPERVISED TO ENSURE THEY DO NOT PLAY WITH THIS APPLIANCE.

Hydrotherm take pride in the fact that all rails are individually hand made. Due to this fact some measurements may not be exact. **PLEASE READ INSTRUCTIONS CAREFULLY** and do not force towel rail into bracket if position of wall flange is not accurate.

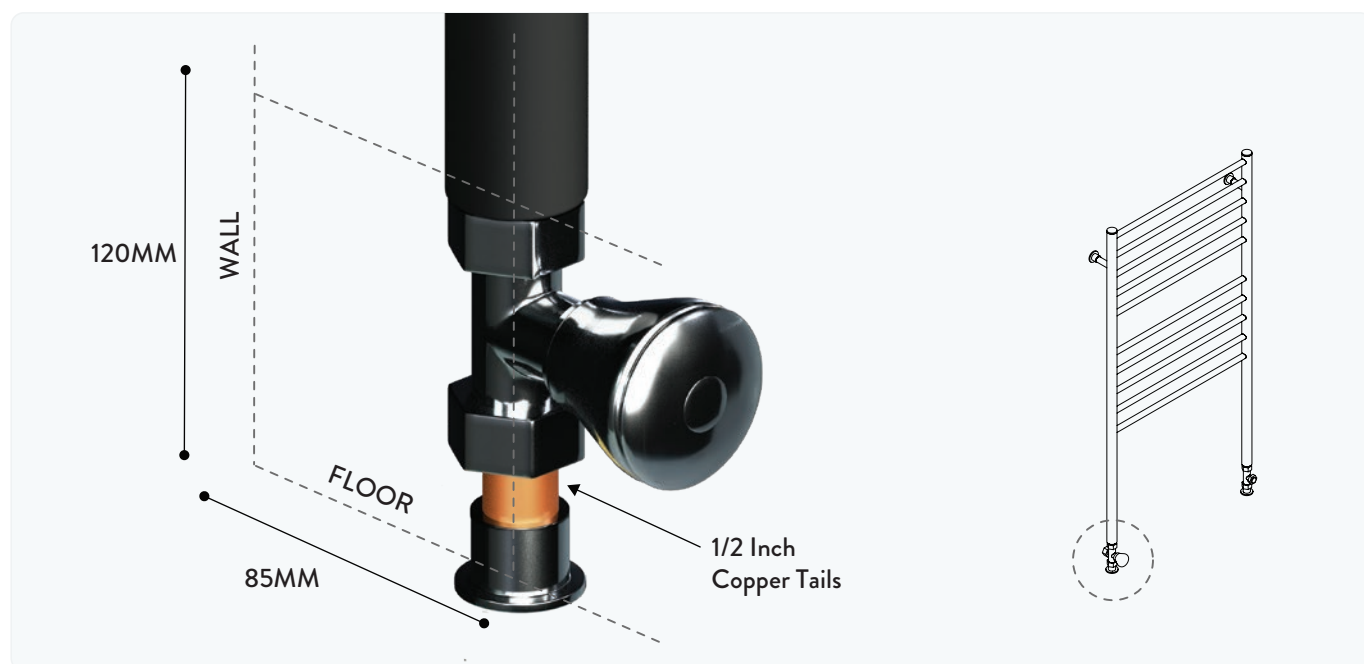
In order to avoid hazards for young children, this appliance must be installed so that the lowest rung is at least 600mm from the floor.

PIPE INSTALLATION

PIPED INTO THE WALL



PIPED INTO THE FLOOR





CARING FOR YOUR TOWEL RAIL

Guidelines for the Cleaning and Care of your Towel Rail

INSTALLATION

Damage to tapware and bathroom accessory surfaces is often caused by the installation/removal process. So it is highly recommended that you thoroughly inspect your products out of the box, before they are installed. Ensure your tradespeople take special care when handling and installing, using clean hands or gloves and washing off any plumbing product.



Under NO circumstances should a silicone sealant be used when fitting or handling. If such sealants come into contact with the product, the sealant residue MUST be thoroughly washed immediately.

Once installed, the fittings need protection until the job is finished. Cover the surfaces to avoid splatters from paint or commercial cleaning products.

CARE AND MAINTENANCE

Please follow these cleaning and care instructions to best maintain the finish of the product you have selected.

The ideal care for all fittings is to dry them with a soft cloth after each use, which will prevent mineral deposits.

Fittings should be regularly cleaned with warm water or a mild pH-neutral liquid soap and water and polished with a clean soft cloth.

A Microfiber cloth is gentle and effective for cleaning without scratching and needs only to be dampened to clean the product. Residue left by personal hygiene products such as liquid soap, tooth paste, shampoo and shower gel can cause damage. Always rinse these off the fittings with clean water immediately after use.



Under no circumstances should harsh cleaning agents containing acidic, caustic or abrasive components or citrus, bleach or alcohol based substances be used to clean these fittings and should not be allowed to remain on metal finishes.

Avoid dripping or over spraying such cleaning agents by covering the fixtures with a cloth or towel, metal finishes splashed with these products should be immediately rinsed with clean water and dried. Do not use abrasive cloths, scouring pads, scrub sponges, steel wool etc.

HOMEOWNERS GUIDE TO PLATED FINISHES

NOTE: Scouring, steel wool, Scotchbrite, powder or abrasive cleaners should not be used on any plated finishes. This does not apply to uncoated bare brass.



CHROME: The most durable of the electroplated finishes, cleaning as per the guidelines above.



BLACK CHROME: High Gloss electroplated finish, not as resistant to scratching or scuffing as standard chrome. Cleaning and care as per guidelines above.



MATTE BLACK CHROME: Low Gloss electroplated finish with a microscopically rough surface which gives the matte appearance. Cleaning as per guidelines above. Avoid the use of waxes or polishes as they will fill the surface and give the part a polished look.



NICKEL AND BRUSHED NICKEL: Electroplated finishes known as "living finishes" which over time will develop an individual patina, giving it a distinctive classical look, however nickel finishes do require regular care. It is important to clean nickel finishes after use to prevent tarnishing. Water should be dried off and prevented from building up and forming hard water spots (which if left can be difficult to remove). It is highly recommended to clean your tapware regularly as per the guidelines above.



GOLD Products should be only cleaned with a microfiber cloth, warm water and pH neutral liquid soap as per guidelines above.



UNCOATED BARE BRASS: As a living finish, un-lacquered brass will mature over time to develop a patina and unique character, typical of old brassware. Always have clean hands when handling brassware.

All uncoated bare brass can be cleaned with mild soap and water which will not alter the aging process.

Polished uncoated bare brass that has been buffed to a shiny finish; over time the polished brass will garner a patina and the surface lose some of its brightness. Brass fittings can be cleaned routinely with mild soap and water which will not alter the patina development. If desired the shine can be restored with a very mild abrasive cleaner like Brasso.



SATIN UNCOATED BARE BRASS: Has a brushed surface which reduces the gleam on the surface.

A brushed finish is more susceptible to staining or marks from chemicals or acids as the surface has small 'scratches' which pick up the stain. Therefore, establish a simple routine of rinsing off the tap with warm water and drying it, if it is splattered with cooking acids or chemicals such as toothpaste. If uneven staining occurs, this finish can be refurbished when dry with a gentle abrasive cloth – such as a non-scouring cleaning pad (eg. Scotchbrite). If the surface is polished with a metal polish this will reduce the brushed effect.



LACQUERED FINISHES: This is an acrylic lacquer topcoat applied to provide additional protection to soft or low corrosion resistance coatings such as rose gold. Simply wiping and drying with a soft cloth will maintain the finish.

Never use abrasives of any nature as these will scratch and wear the coating. Follow guidelines as set out above.

ANTIQUÉ FINISHES: Refer to specific guidelines.

THE HYDROTHERM WARRANTY

Our warranty covers the repair or (At Hydrotherm's discretion) the replacement of any items flawed through impaired workmanship or materials. Hydrotherm Towel Rails possess a 10 year guarantee on the integrity of their construction and finish. The internal heating element carries a 3 year warranty only.

Warranty period commences from date of purchase. Please ensure proof of purchase information is preserved. All warranty issues are to be initiated through original point of purchase, so that an official service call can be lodged through the appropriate channels. From here our After Sales Service Team will act accordingly.

IMPORTANT INFORMATION

All Hydrotherm Heated Towel Rails are supplied with water, unless otherwise specified. This unit is not designed to be used as a ladder. No responsibility will be taken by Hydrotherm Australia Pty. Ltd for incorrect installation. All warranty will be void if instructions are not followed.

ELECTRIC MODEL

Electric connection must be installed by a qualified electrician. All Hydrotherm Towel Rails carry an IPX5 rating for use in wet areas. If the electrical cable is damaged, the entire element must be replaced. When connecting, element must be positioned at the bottom of the towel rail. If installed incorrectly, Towel rail will not operate effectively and may cause damage to the element.

WARRANTY WILL BE VOIDED FOR THE FOLLOWING REASONS

- Failure to provide adequate proof of purchase or similar documentation
- Hard wired towel rails not installed by a licensed electrician
- Towel Rails not installed in accordance with State and or National standards
- Failure to install towel rail in accordance with manufacturers instructions
- Product used for incorrect applications
- Service, repairs or alterations undertaken without manufacturers written approval
- Damage to finish which arise from installation or post installation
- Failure to adhere to manufacturers care and cleaning directions



3 YEAR
ELECTRIC ELEMENT
MANUFACTURERS WARRANTY



10 YEAR
CONSTRUCTION & FINISH
MANUFACTURERS WARRANTY

100% AUSTRALIAN MADE AND OWNED

Manufactured by Hydrotherm Australia,
96 Commercial Drive Thomastown Victoria 3074

Tel: +61 3 9464 4622
Fax: +61 3 9464 4722

www.hydrotherm.com.au
sales@hydrotherm.com.au



**PROUDLY AUSTRALIAN
MADE AND OWNED**

Disclaimer: Products in this specification manual must by regulation be installed by licensed and registered trade people. The manufacturer/distributor reserves the right to vary specifications or delete models from their range without prior notification. Dimensions are nominal measurements only. Dimensions and set-outs listed are correct at time of publication however the manufacturer/distributor takes no responsibility for printing errors.