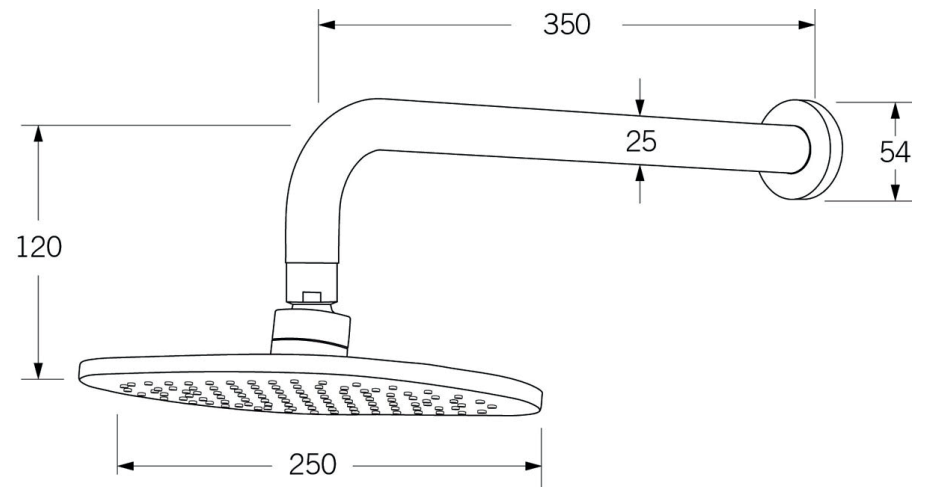


Calibre Horizontal shower

SUSSEX



BATHROOM COLLECTIVE

Phone Number: (02) 9011-5711

Product code

CHSH

Product features

- Designed and manufactured in Australia
- All brass construction
- Swivel ball joint
- Retro fitable
- Customisable
- Available in a range of high quality, durable finishes inc. LUXPVD®
- Minimal, refined design to complement any contemporary space
- Matching tapware and showers

Warranty

15 Years
Shower head and arm.
3 years for rail showers.
2 years for shower hoses.

Pressure rating

300 - 500kPa

Temperature rating

1 - 65°C

WELS rating

3 star - 8.5lt/min

