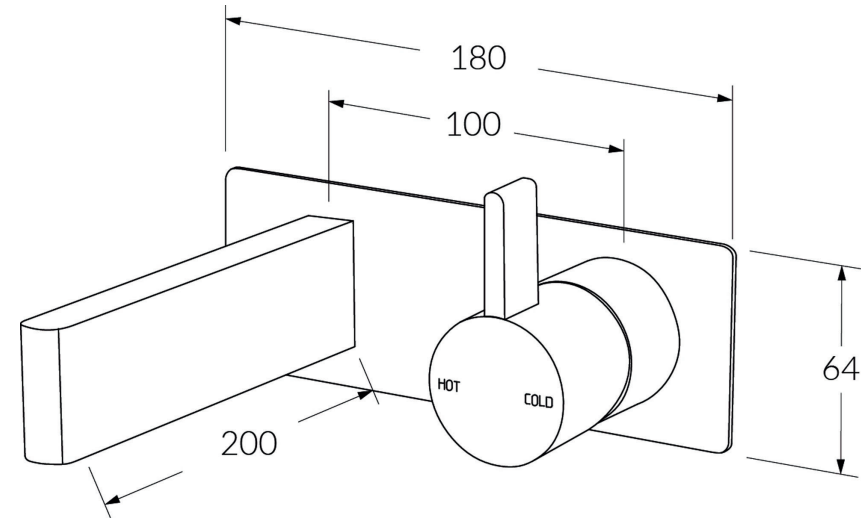
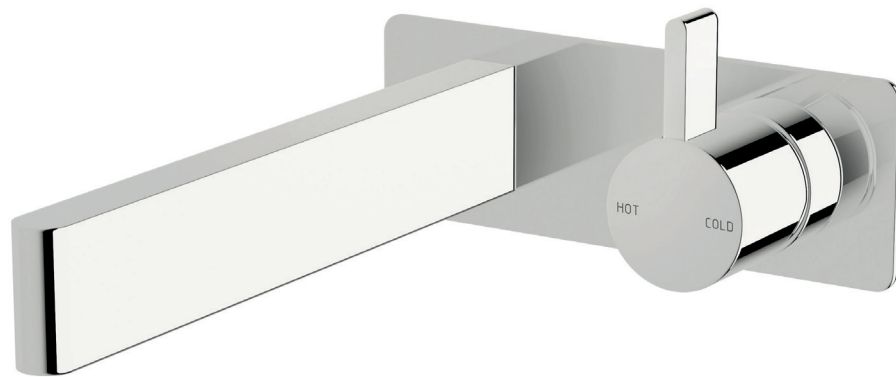


# Calibre Wall basin mixer outlet system 200mm

SUSSEX



## Product code

CWBMS200RH

## Product features

- Designed and manufactured in Australia
- All brass construction
- Fixed handle lever
- 35mm ceramic disc cartridge
- Incorporating Sussex Masterfit
- Available in a range of high quality, durable finishes inc. LUXPVD®
- Minimal, refined design to complement any contemporary space
- Matching tapware and showers

sussex taps.com.au

## Warranty

15 Year overall warranty.  
Refer to Warranty sheet for specific information.

## Pressure rating

300 - 500kPa

## Temperature rating

1 - 65°C

## WELS rating

5 star - 5lt/min



## BATHROOM COLLECTIVE

Phone Number: (02) 9011-5711

While we aim to ensure the specifications shown are correct at time of printing, Sussex Taps reserves the right to make modifications without prior notice. Always use the physical product for accurate measurements. Dimensions are subject to change without notice. All measurements are shown in millimetres.

Copyright © Sussex Taps