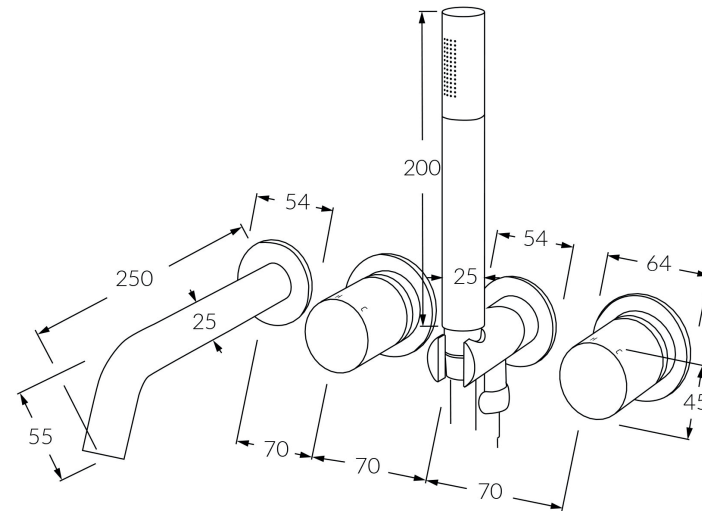


# Circa Bath mixer system with hand shower 250mm

# SUSSEX



## BATHROOM COLLECTIVE

Phone Number: (02) 9011-5711

### Product code

RBMS250RH

### Product features

- Designed and manufactured in Australia
- All brass construction
- 35mm ceramic disc cartridge
- Incorporating Sussex Masterfit
- Available in a range of high quality, durable finishes inc. LUXPVD®
- Minimal, refined design to complement any contemporary space
- Matching tapware and showers

### Warranty

15 Year overall warranty.  
Refer to Warranty sheet for specific information.

### Pressure rating

300 - 500kPa

### Temperature rating

1 - 65°C

### WELS rating

3 star - 8.5lt/min

