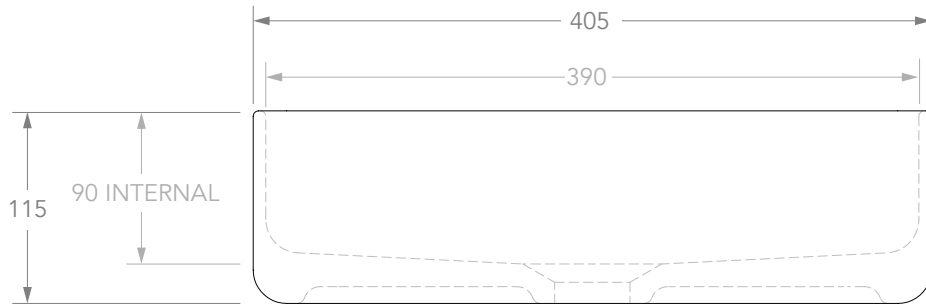
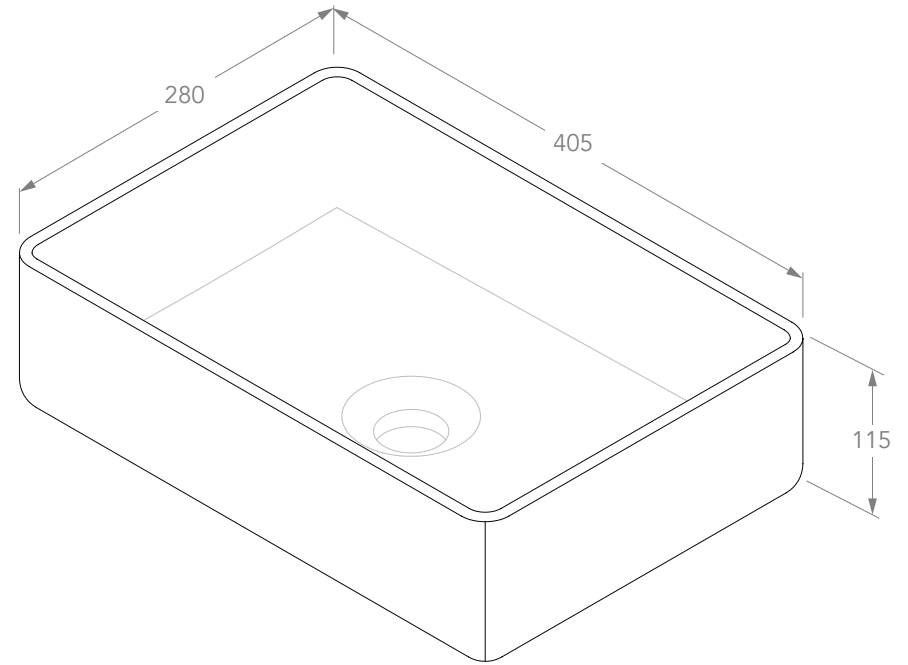
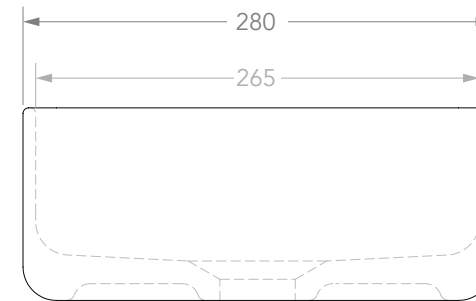


45DIA
WASTE
CENTRED



8.5L CAPACITY
TO RIM



Adp

BATHROOM COLLECTIVE

Phone Number: (02) 9011-5711

PRODUCT	SELMA ABOVE COUNTER BASIN	MATERIAL	CERAMIC	NOTES: DUE TO THE MANUFACTURING NATURE OF CERAMICS, +/-5MM VARIATION IN SIZE AND DETAIL CAN BE EXPECTED. DO NOT DRILL OR ROUGH IN UNTIL YOU HAVE RECEIVED AND MEASURED YOUR PRODUCT. BASIN SUITS 32MM WASTE. ADP UNIVERSAL PLUG AND WASTE RECOMMENDED (SOLD SEPARATELY). BASIN CUTOUT IS A 75 DIAMETER HOLE. ALL DIMENSIONS ARE IN MILLIMETRES. DO NOT MEASURE FROM DRAWING.
CODE	TOPCSEL4028*	COLOUR	WHITE	
STYLE	ABOVE COUNTER	FINISH	GLOSS - TOPCSEL4028GW MATTE - TOPCSEL4028MW	
DIMENSIONS	405 X 280 X 115H			
CAPACITY	8.5L TO RIM			
VERSION 3	DATE 27/02/2023			