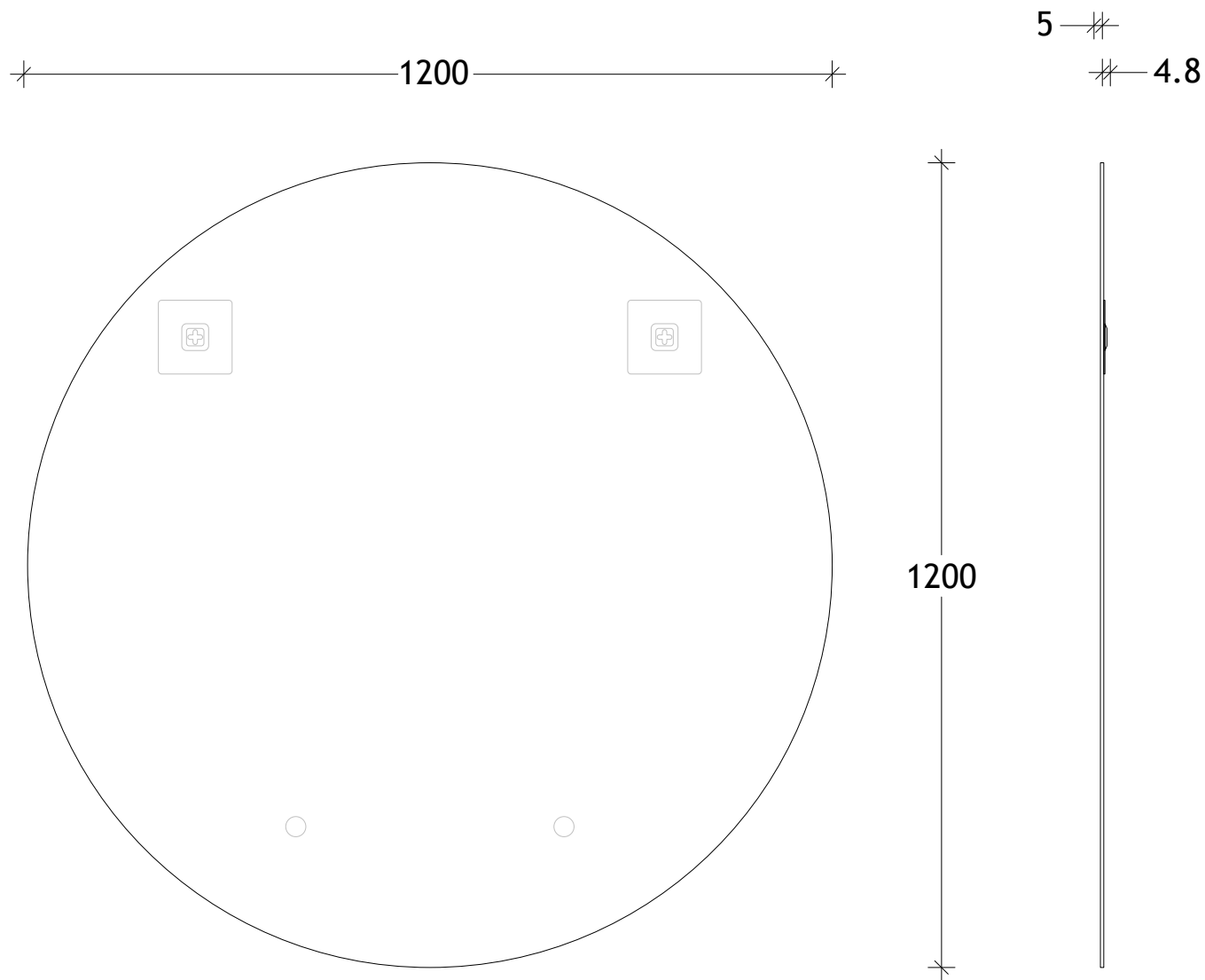


*BRACKET LOCATION MAY VARY +/- 5MM
DO NOT PRE DRILL MOUNTING HOLES BEFORE MIRROR IS ON SITE.
MEASURE EXACT LOCATIONS FROM YOUR MIRROR.

NAME:	ROUND	SMRD120120
SIZE:	1200 x 1200	
WK/WH:	WH	
CONFIGURATION:	MIRROR	



BATHROOM COLLECTIVE

Phone Number: (02) 9011-5711