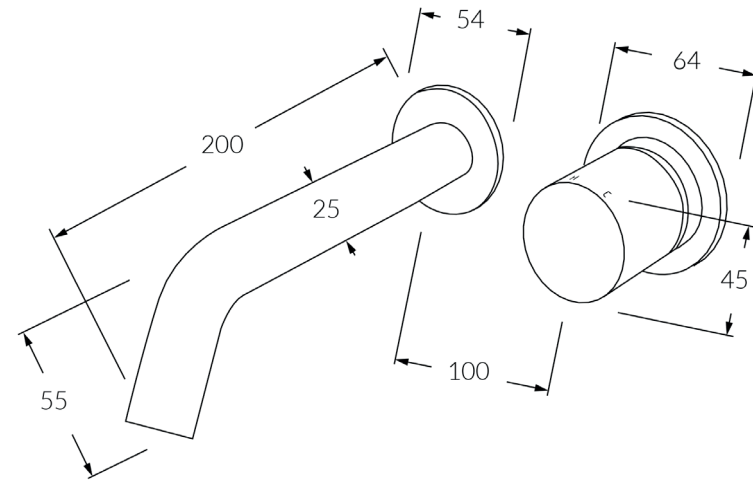


# Circa Wall basin mixer system 200mm

# SUSSEX



#### Product code

RWBMS200RH

#### Product features

- Designed and manufactured in Australia
- All brass construction
- 35mm ceramic disc cartridge
- Customisable
- Incorporating Sussex Masterfit
- Available in a range of high quality, durable finishes inc. LUXPVD®
- Minimal, refined design to complement any contemporary space
- Matching tapware and showers

#### Warranty

15 Year overall warranty.  
Refer to Warranty sheet for specific information.

#### Pressure rating

300 - 500kPa

#### Temperature rating

1 - 65°C

#### WELS rating

5 star - 5.5lt/min

## BATHROOM COLLECTIVE

Phone Number: (02) 9011-5711



AS/NZS 3718:2005  
LIC. 20081



While we aim to ensure the specifications shown are correct at time of printing, Sussex Taps reserves the right to make modifications without prior notice. Always use the physical product for accurate measurements. Dimensions are subject to change without notice. All measurements are shown in millimetres.

Copyright © Sussex Taps