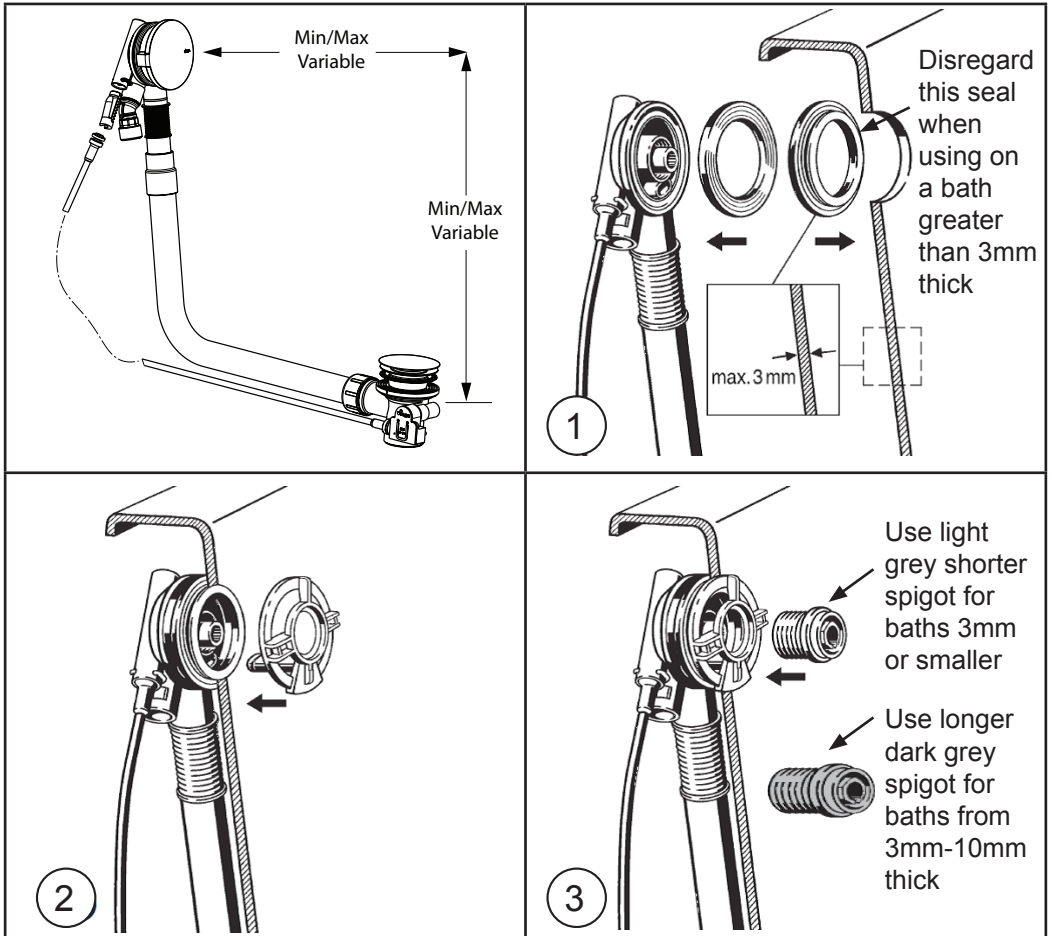
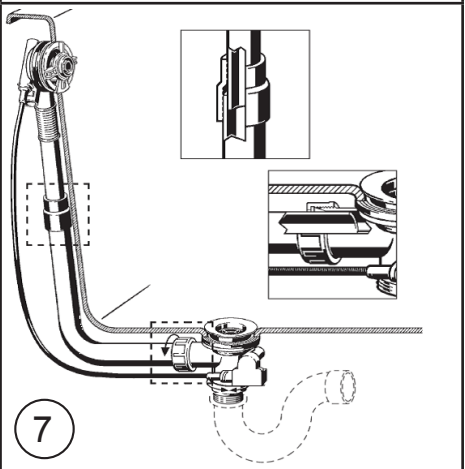
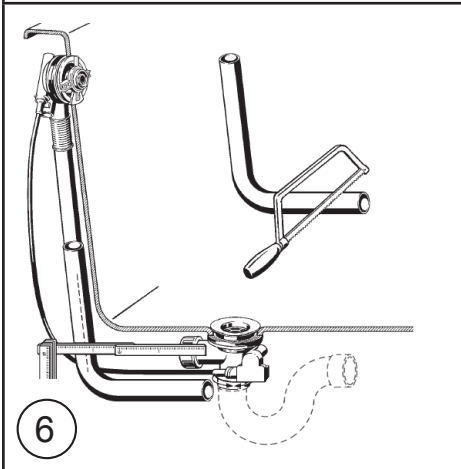
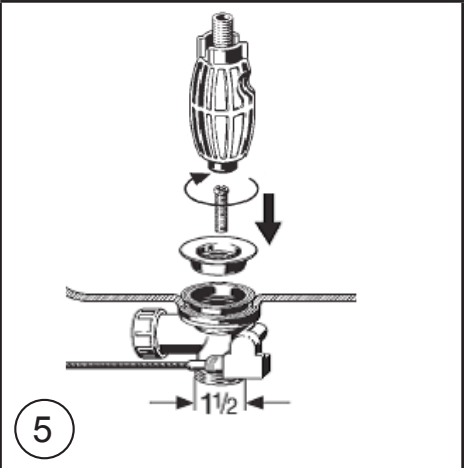
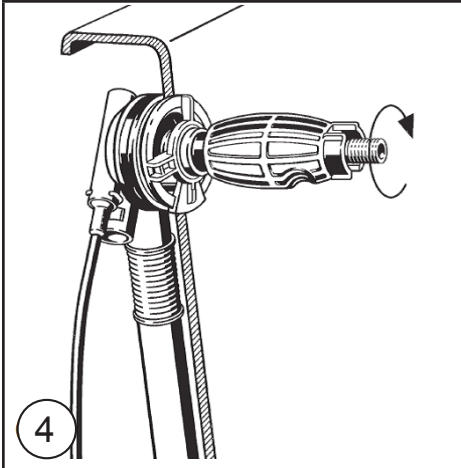
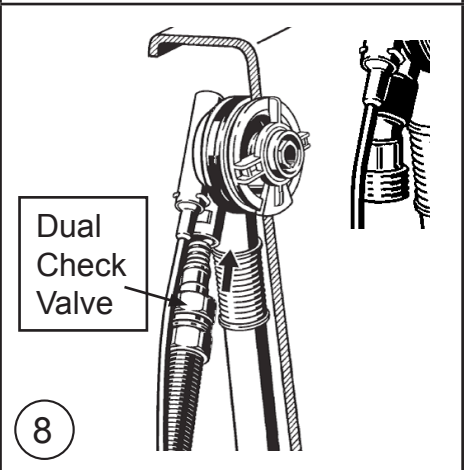


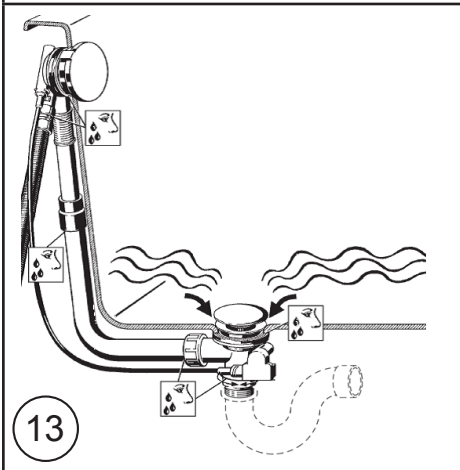
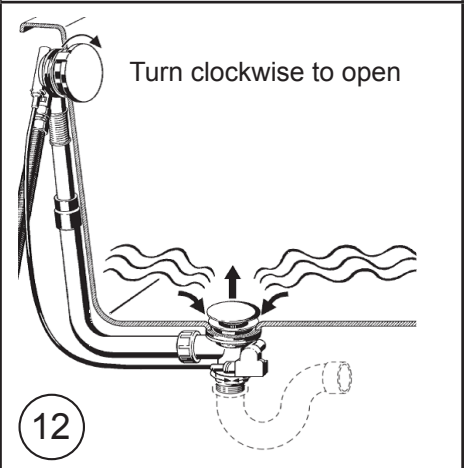
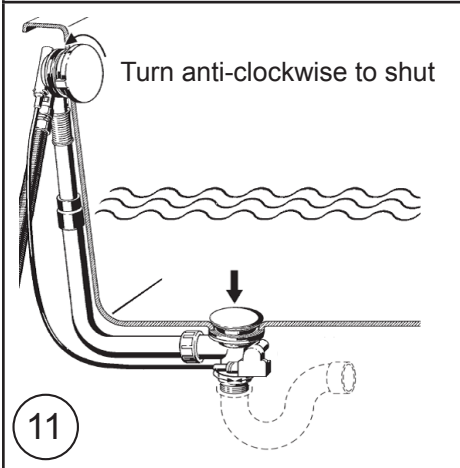
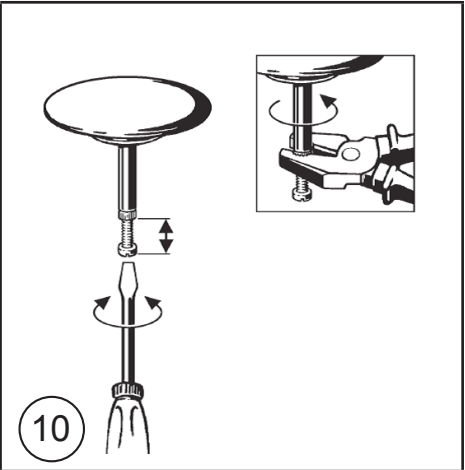
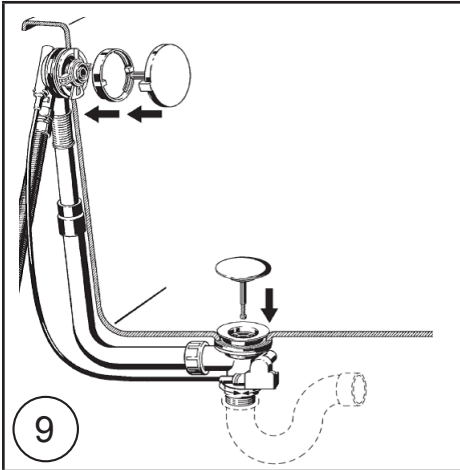
Bath Filler & Overflow Waste Installation Instructions





1/2" Dual Check Valve supplied must be installed to inlet connection to meet AS/NZS 3500 requirements - use thread seal tape or equivalent





Installation Note:

Check all water inlet connections under pressure, and all waste connections and seals prior to sheeting and tiling to ensure watertight structure.