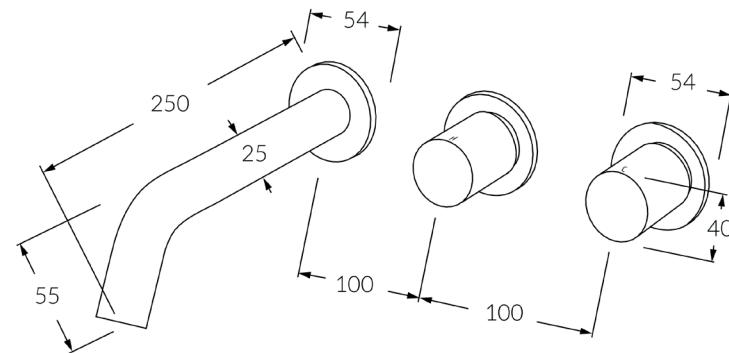


Circa Vertex  
**Wall basin hostess system 250mm**

**SUSSEX**



**BATHROOM COLLECTIVE**

Phone Number: (02) 9011-5711

**Product code**

RWBHS250RH-V

**Product features**

- Designed and manufactured in Australia
- All brass construction
- Textured handle
- 1/2 turn ceramic disc spindles
- Incorporating Sussex Masterfit
- Customisable
- Available in a range of high quality, durable finishes inc. LUXPVD®
- Minimal, refined design to complement any contemporary space
- Matching tapware and showers

**Warranty**

15 Year overall warranty.  
 Refer to Warranty sheet for specific information.

**Pressure rating**

300 - 500kPa

**Temperature rating**

1 - 65°C

**WELS rating**

5 star - 5.5lt/min

