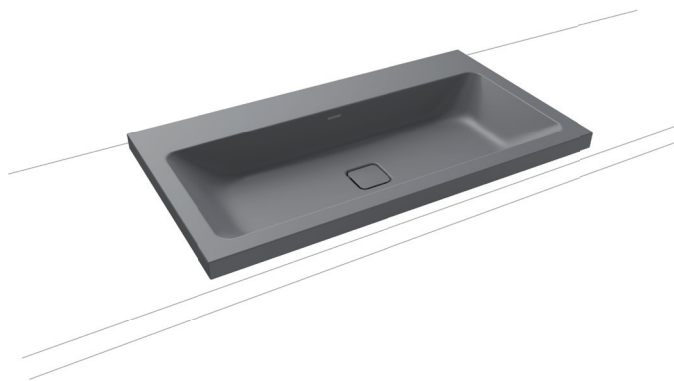
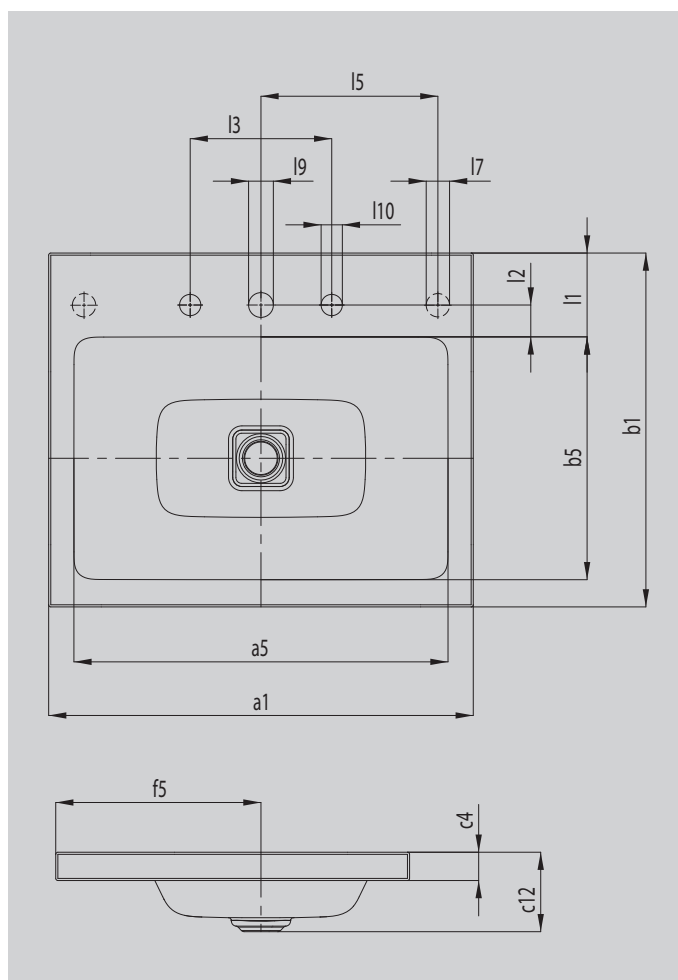


# CONO COUNTERTOP WASHBASIN

- Harmonious washbasin with a premium character
- Enamelled waste integrated optimally to round off the geometric appearance perfectly
- The perfect addition to the CONO family
- Extremely generous space for fittings and individual accessories



Similar illustration



| Model  |                 | 3076    |
|--|-----------------|---------|
| External length [mm]                                     | a <sub>1</sub>  | 500 mm  |
| Internal length [mm]                                     | a <sub>5</sub>  | 432 mm  |
| External width [mm]                                      | b <sub>1</sub>  | 500 mm  |
| Internal width [mm]                                      | b <sub>5</sub>  | 348 mm  |
| Height of rim [mm]                                       | c <sub>4</sub>  | 40 mm   |
| Distance basin surface to bottom edge of waste hole [mm] | c <sub>12</sub> | 112 mm  |
| Distance rear edge to centre of waste hole [mm]          | f <sub>5</sub>  | 290 mm  |
| Depth of tap deck [mm]                                   | l <sub>1</sub>  | 116 mm  |
| Distance tap holes to edge [mm]                          | l <sub>2</sub>  | 45 mm   |
| Distance external tap holes (for 3 tap holes) [mm]       | l <sub>3</sub>  | 200 mm  |
| Diameter of centre tap hole [mm]                         | l <sub>9</sub>  | Ø 35 mm |
| Diameter of outside tap hole (for 3 tap holes only) [mm] | l <sub>10</sub> | Ø 30 mm |
| Net weight [kg]  |                 | 8 kg    |

**BATHROOM COLLECTIVE**

Phone Number: (02) 9011-5711

**KALDEWEI**

Subject to technical alterations, tolerances and errors. Similar illustration.