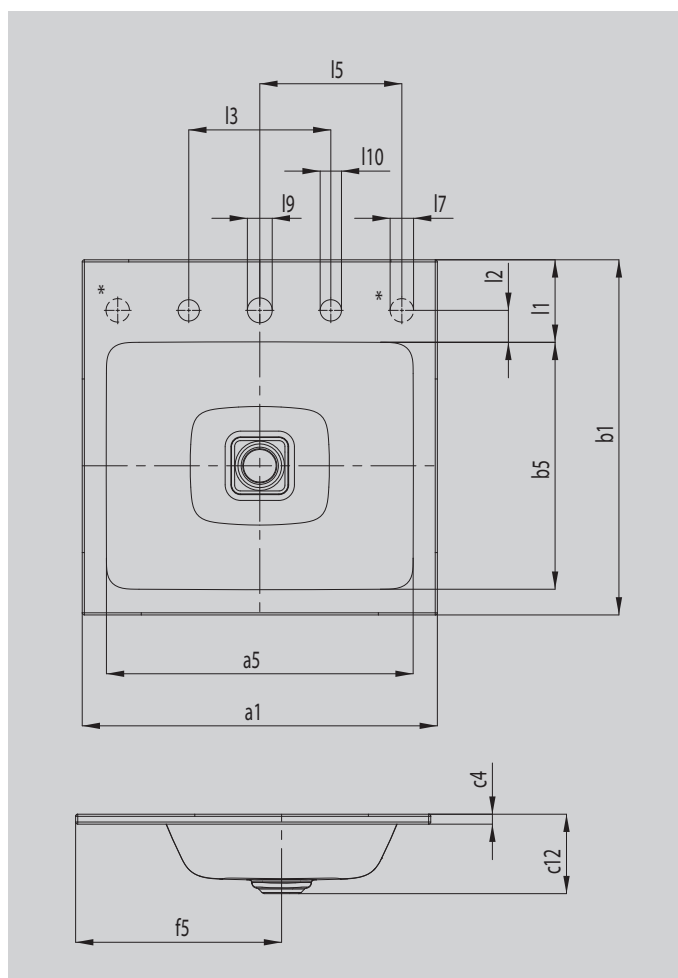


# CONO BUILT-IN WASHBASIN

- Harmonious washbasin with a premium character
- Enamelled waste integrated optimally to round off the geometric appearance perfectly
- The perfect addition to the CONO family
- Extremely generous space for fittings and individual accessories



Similar illustration



Model		3081
External length [mm]	$a_1$	900 mm
Internal length [mm]	$a_5$	832 mm
External width [mm]	$b_1$	500 mm
Internal width [mm]	$b_5$	348 mm
Height of rim [mm]	$c_4$	14 mm
Distance basin surface to bottom edge of waste hole [mm]	$c_{12}$	112 mm
Distance rear edge to centre of waste hole [mm]	$f_5$	290 mm
Depth of tap deck [mm]	$l_1$	116 mm
Distance tap holes to edge [mm]	$l_2$	45 mm
Distance external tap holes (for 3 tap holes) [mm]	$l_3$	200 mm
Diameter of centre tap hole [mm]	$l_9$	Ø 35 mm
Diameter of outside tap hole (for 3 tap holes only) [mm]	$l_{10}$	Ø 30 mm
Net weight [kg]		10 kg

**BATHROOM COLLECTIVE**

Phone Number: (02) 9011-5711

**KALDEWEI**

Subject to technical alterations, tolerances and errors. Similar illustration.