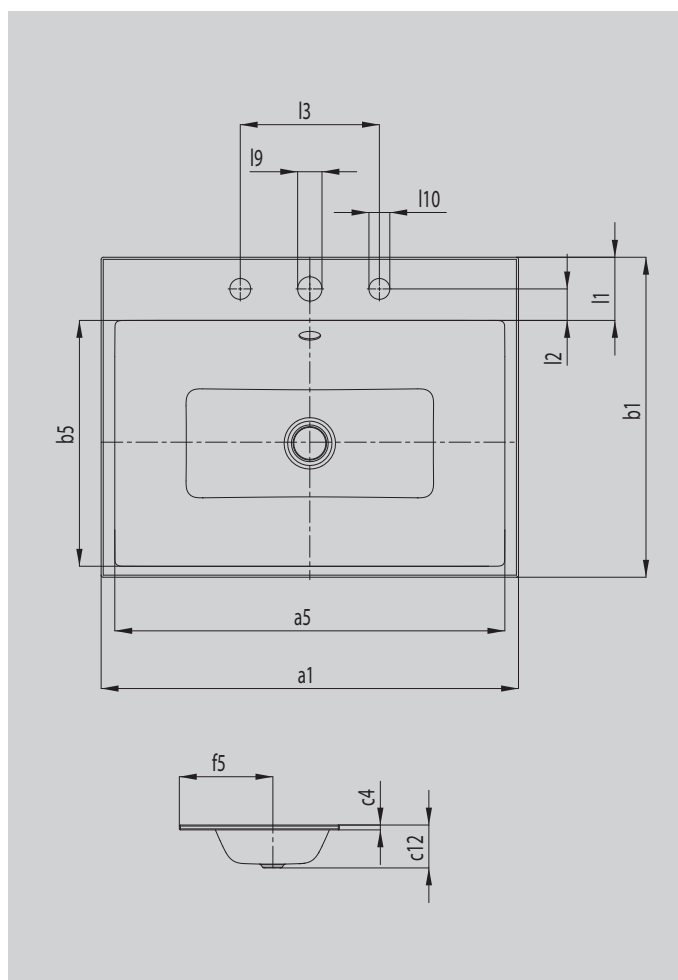


PURO BUILT-IN DOUBLE WASHBASIN

- Elegant rectangular washbasin in a classically minimalist design
- Reduced precise edges
- Very generous interior dimensions
- Clean and timeless lines - immortalised in long-lasting KALDEWEI steel enamel
- Harmonises perfectly with the PURO bath series
- Designed by Anke Salomon



Similar illustration



Model		3169-D
External length [mm]	a ₁	1200 mm
Internal length [mm]	a ₅	1160 mm
External width [mm]	b ₁	460 mm
Internal width [mm]	b ₅	354 mm
Height of rim [mm]	c ₄	14 mm
Distance basin surface to bottom edge of waste hole [mm]	c ₁₂	125 mm
Distance rear edge to centre of waste hole [mm]	f ₅	268 mm
Depth of tap deck [mm]	l ₁	91 mm
Distance tap holes to edge [mm]	l ₂	45 mm
Distance external tap holes (for 3 tap holes) [mm]	l ₃	200 mm
Distance between tap holes [mm]	l ₄	600 mm
Diameter of centre tap hole [mm]	l ₉	Ø 35 mm
Diameter of outside tap hole (for 3 tap holes only) [mm]	l ₁₀	Ø 30 mm
Net weight [kg]		15 kg

BATHROOM COLLECTIVE

Phone Number: (02) 9011-5711

KALDEWEI

Subject to technical alterations, tolerances and errors. Similar illustration.