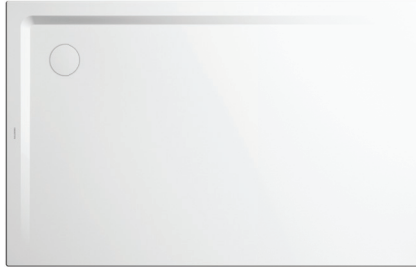


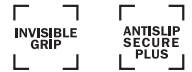
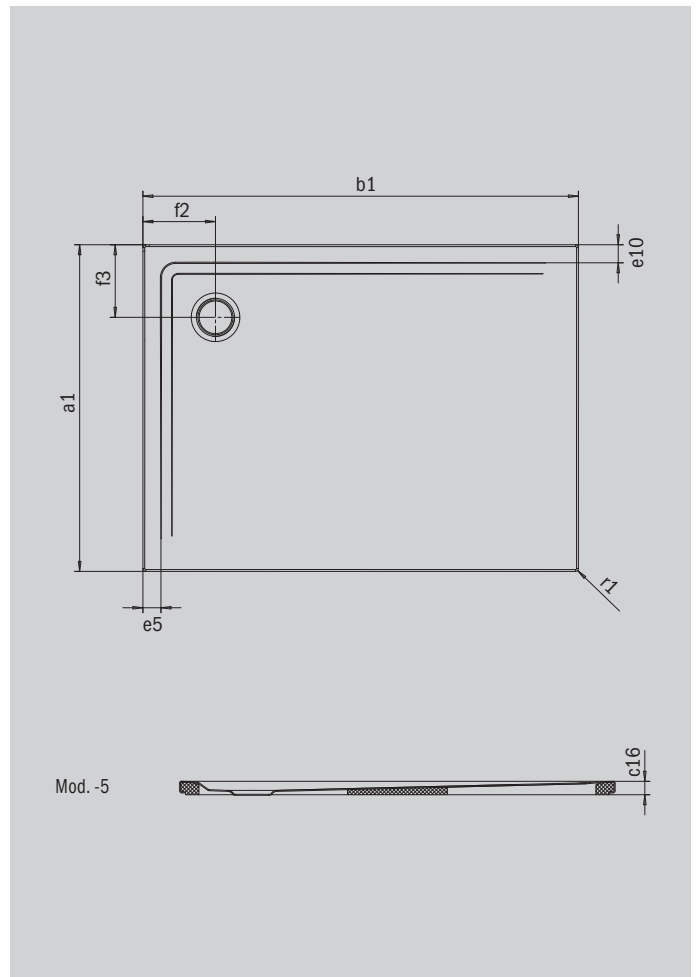
SUPERPLAN

- Step-free entry from two sides
- Low installation height for easy, floor-level installation – also for large formats
- Clear lines, precise edges and sharp corner radii for minimum joints and a uniform look
- Maximum standing area throughout, even with large dimensions
- The corner waste offers great flexibility for waste positioning



Similar illustration

Model 1838	KA 90 horizontal	KA 90 flat	KA 90 vertical
Total height	105	85	37
Fitting height	80	60	80



Model		1838-5
External length [mm]	a_1	750 mm
External width [mm]	b_1	1600 mm
Depth inside [mm]	c_1	25 mm
Height of rim [mm]	c_4	32 mm
Height with low-profile support [mm]	c_{16}	37 mm
Width of rim	e_{10}, e_5	50; 50 mm
Diameter of waste hole [mm]	f_9	Ø 90 mm
Distance bath edge to centre of waste hole [mm]	f_2, f_3	200; 200 mm
External radius [mm]	r_1	8 mm
Net weight [kg]		32 kg
ANTI-SLIP SECURE PLUS		full base

BATHROOM COLLECTIVE

Phone Number: (02) 9011-5711

KALDEWEI

Subject to technical alterations, tolerances and errors. Similar illustration.