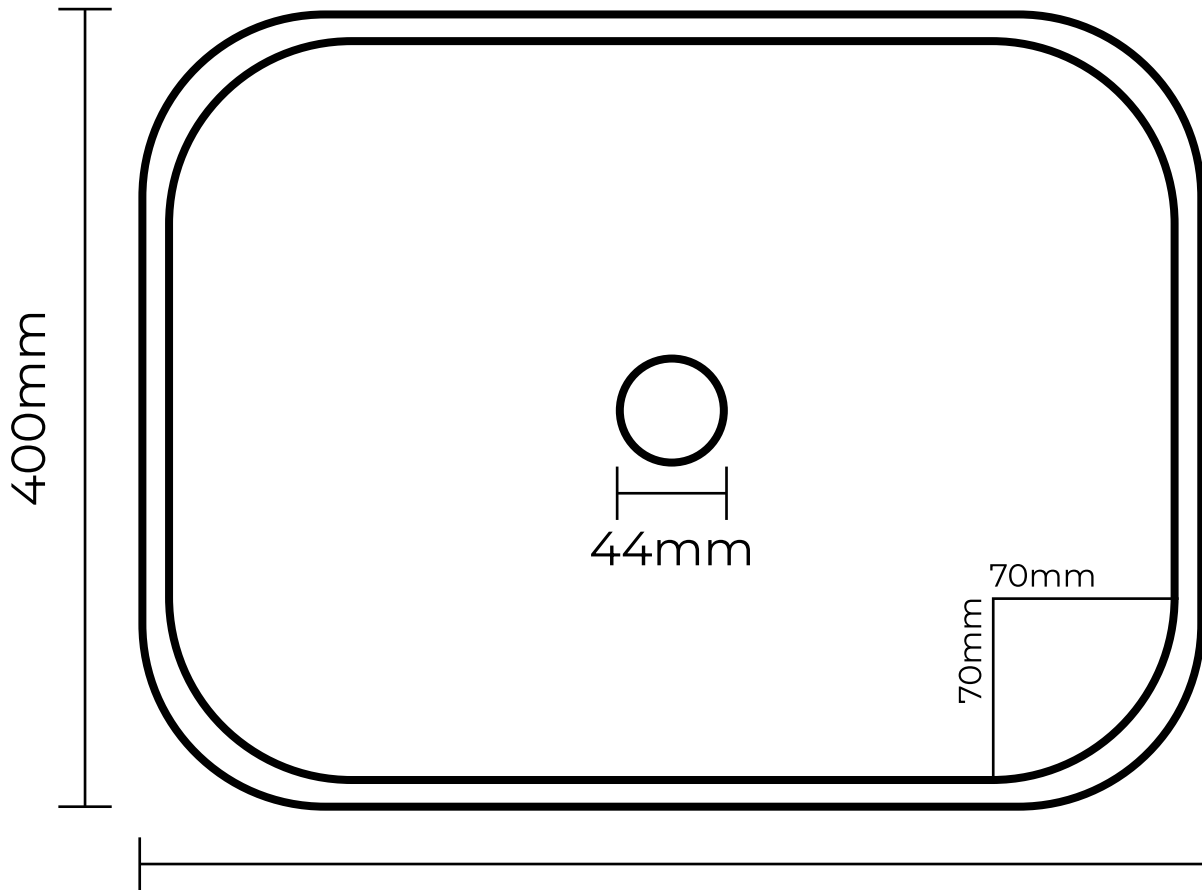


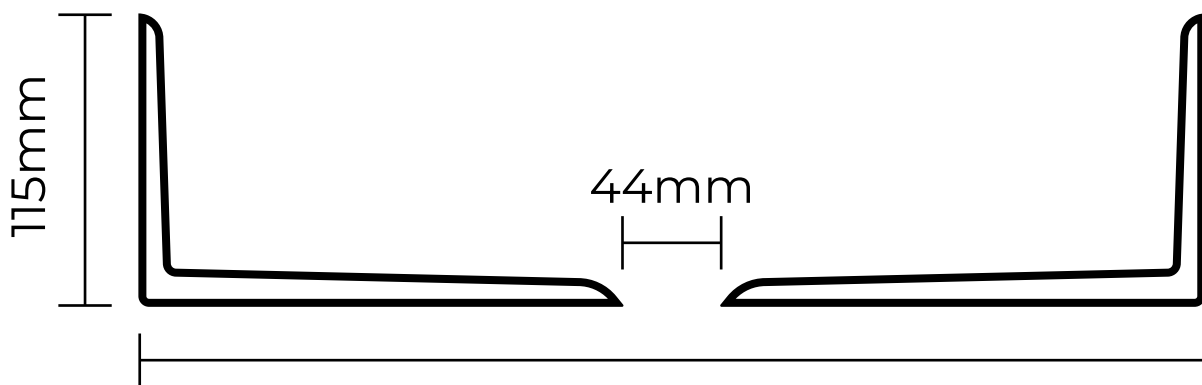
# THE BASIN LAB®

## Stadium Basin

Plan View



Elevation View



**BATHROOM COLLECTIVE**

Phone Number: (02) 9011-5711

**Dimensions** 500mm Length (19.7inch) 400mm Width (15.7inch)  
115mm Height (4.5inch) Radius 70mm (2.8inch)

**Waste Cut-out** 44mm (1.7inch)

**Weight** 7.6kg (16.8lbs)

**Bowl Capacity** 12L (3.2gal)

**32-40mm waste supplied  
(screws down from top)**

**Measurements are approximate only,  
can vary plus or minus 5mm (0.2inch)**