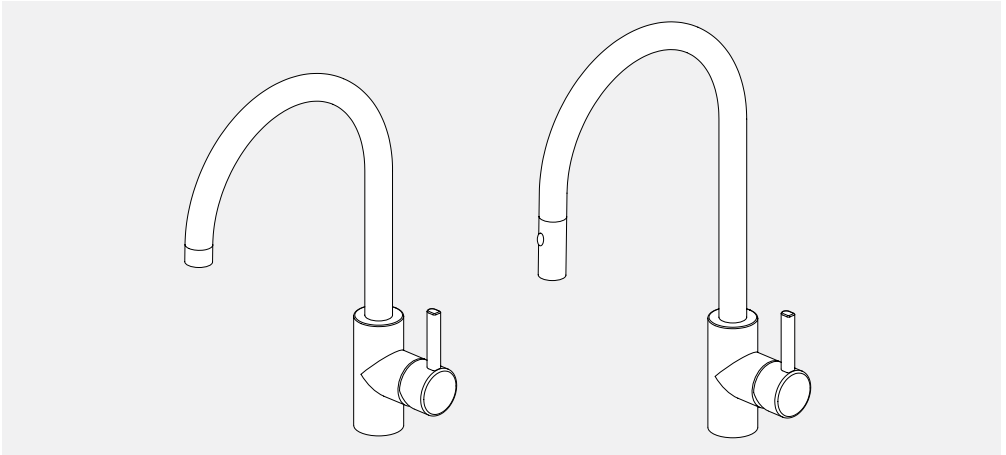


# Eos Neo



**TA9600  
TA9601CP**

**TA9600AN  
TA9601AN**

**TA9600BS  
TA9601BS**

**TA9601  
TA9601GD**

**EN** Installation and service manual

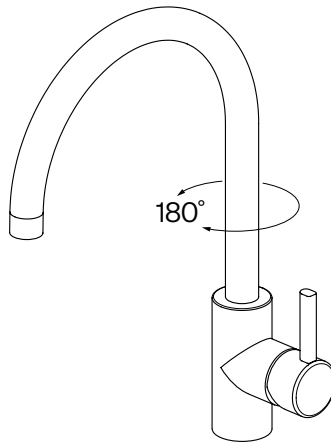
Kitchen Faucet





**A**

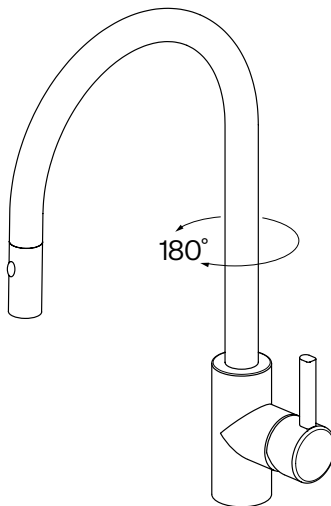
Tap Eos Neo Swivel Side HP

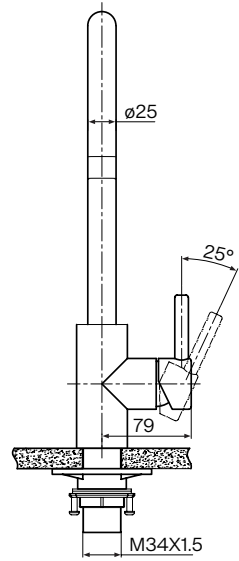
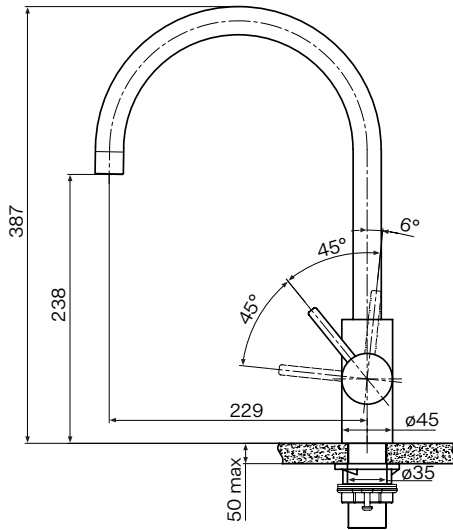
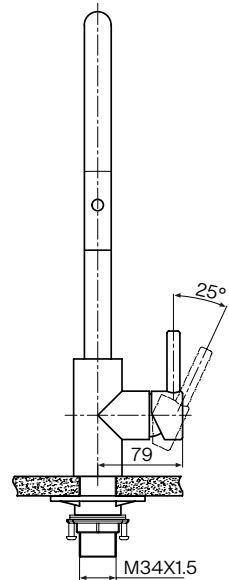
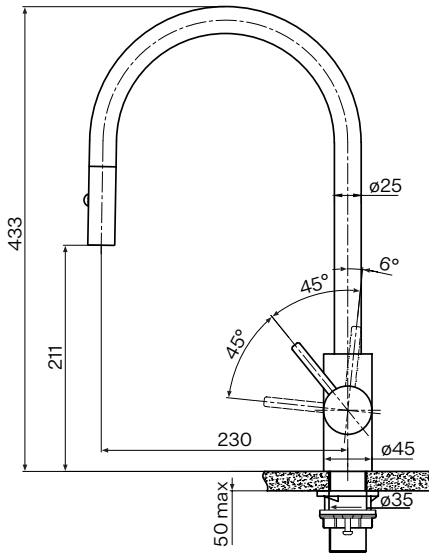


---

**B**

Tap Eos Neo Pull Down Spray Side HP



**A****B**

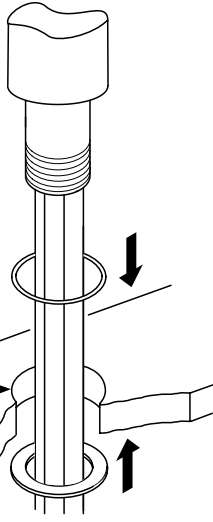


**1**



ø35 mm

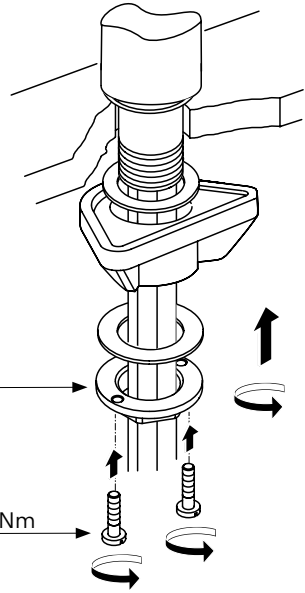
50 mm max



**2**



7Nm



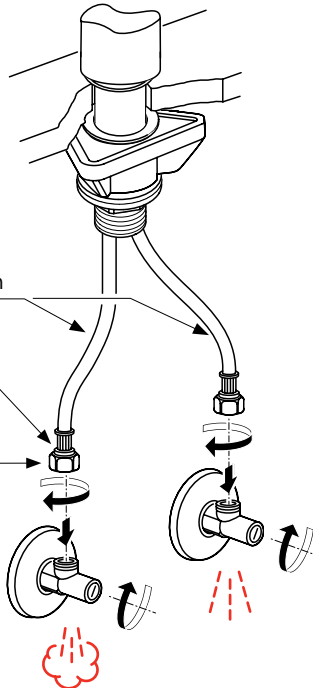
**3**

**A**

$R_{max} \geq 50mm$

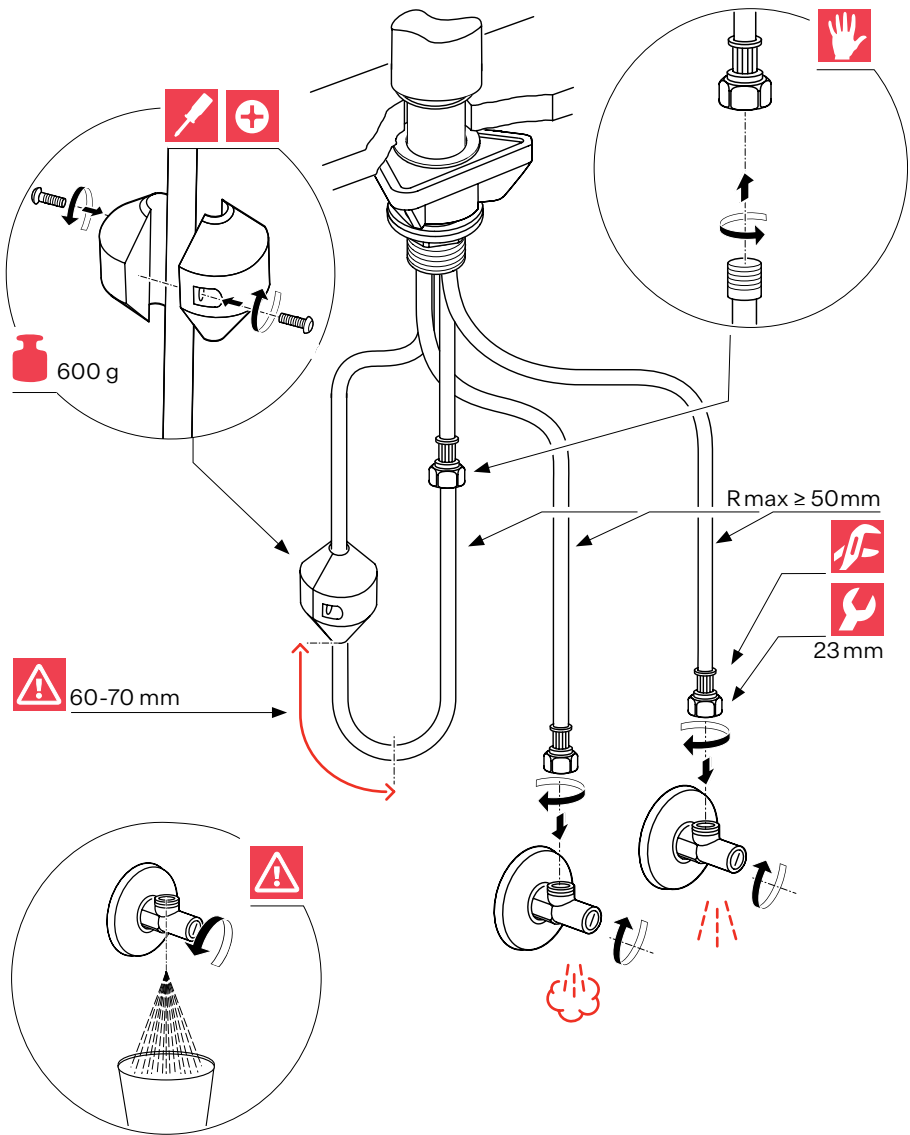


23 mm

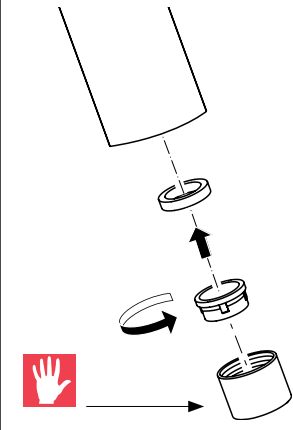
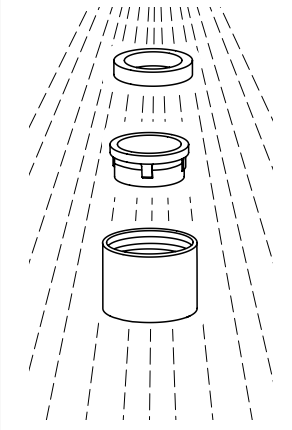
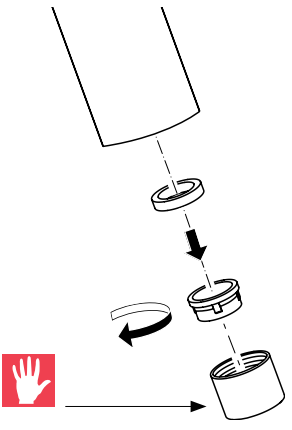


3

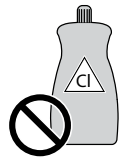
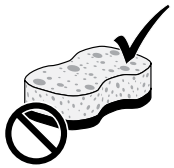
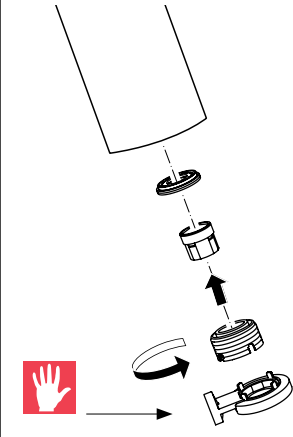
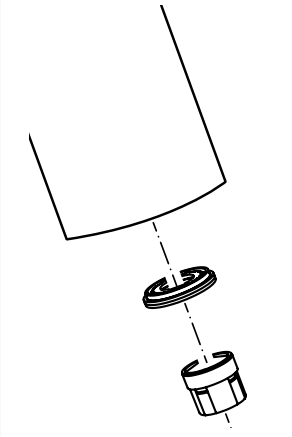
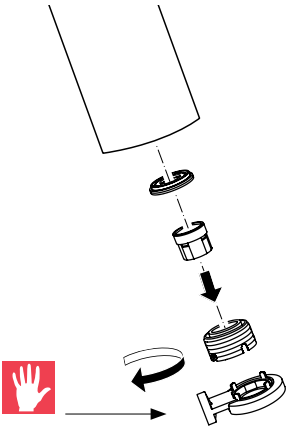
B

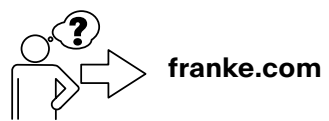
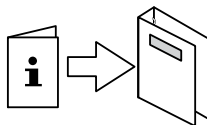
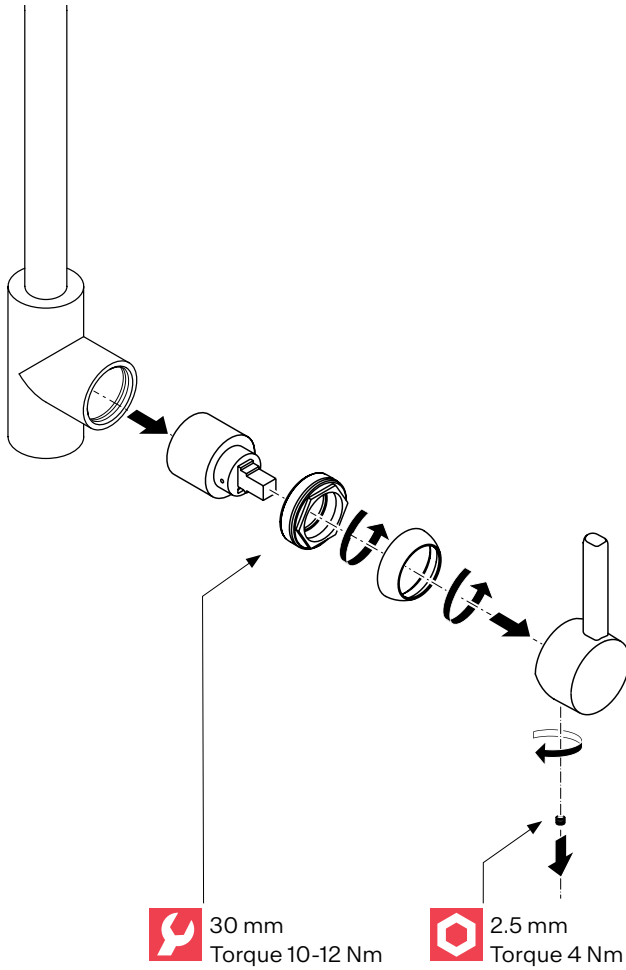


**4 A**



**4 B**







### Periodic checks

- ▶ Check connection and shower hoses periodically for the following:
  - Watertightness
  - Corrosion
  - Mechanical damage
- ▶ Use original spare parts only.
- ▶ Replace damp or dripping hoses.
- ▶ Replace hoses with rusty or oxidized surfaces.
- ▶ Replace hoses that show signs of mechanical damage.

### Replacement of the flexibles

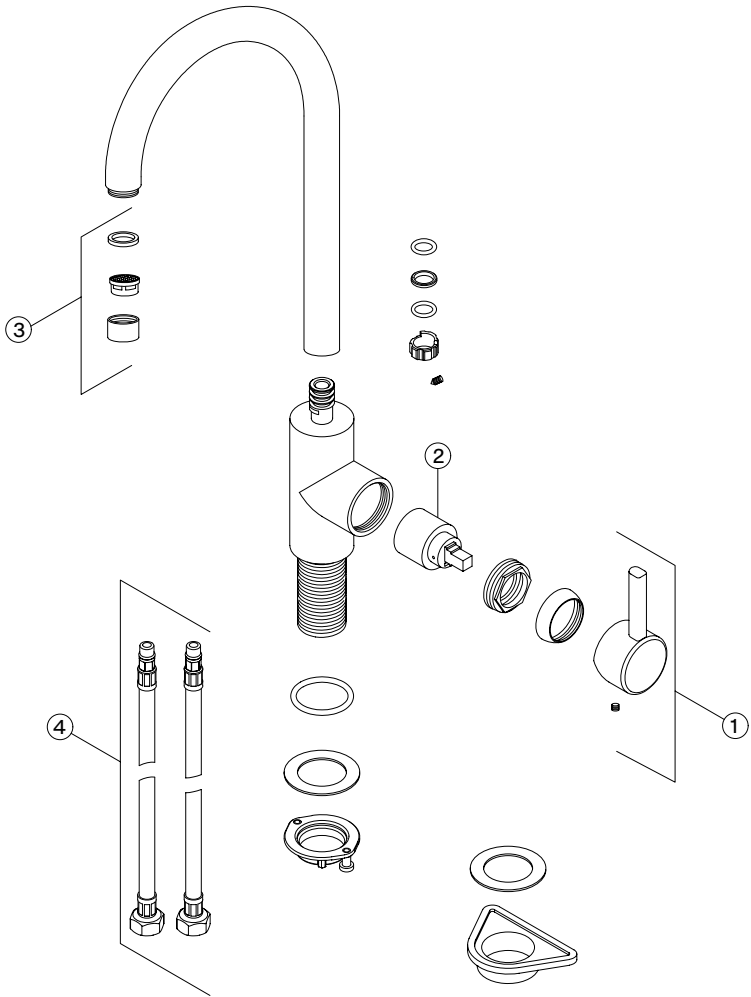
- ▶ Don't use a wrench or other items to mount the flexibles on the tap side.
- ▶ Mount these only by hand.



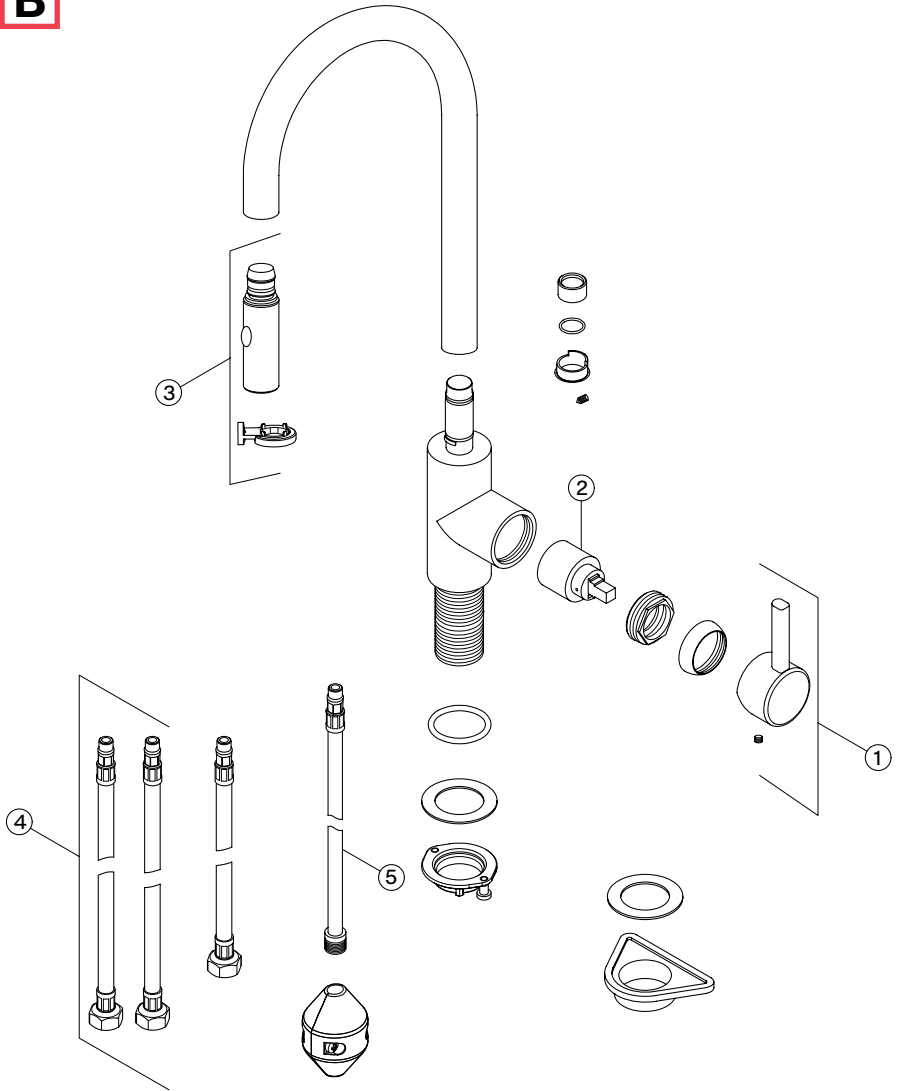
- ▶ Flush all pipes thoroughly before installation.

Operating data	Value		
Operating pressure (ideal)	3 bar	45 PSI	300 kPa
Operating pressure (max.)*	5 bar	70 PSI	500 kPa
Operating pressure (min.)*	1 bar	14.5 PSI	100 kPa
Water temperature (ideal)	60°C	140°F	
Water temperature (max.)	70°C	158°F	

\* Equal pressure is recommended.



**B**



# Express Warranty

---

## Australian Consumer Guarantees

Our goods come with guarantees that cannot be excluded under the Australian Consumer Law. You are entitled to a replacement or refund for a major failure and compensation for any other reasonably foreseeable loss or damage. You are also entitled to have the goods repaired or replaced if the goods fail to be of acceptable quality and the failure does not amount to a major failure.

## Express Warranty Details

As well as your consumer guarantees under the Australian Consumer Law, Franke Australia Pty Ltd ACN 138 663 279 (Franke Australia) offers original purchasers of the Products (**Customer or you**) the additional express warranty described in this document (**Express Warranty**) in respect of Franke Tap's used in a domestic/residential setting (**Product**).

The benefits provided under this Express Warranty are additional to other rights and remedies available to the Customer under the Australian Consumer Law and do not derogate or reduce your rights under the Australian Consumer Law.

The conditions, limitations and exclusions that apply to this Express Warranty are set out in this document.

This Express Warranty is not transferable and is given to Customers when the Product is used in a domestic or residential setting.

## Term of the Express Warranty

The Express Warranty is valid for 5 years parts and labour on the tap and, a further 10 years part only warranty on the cartridge (**Warranty Period**).

## Express Warranty

Subject to the terms set out in this document, Franke Australia warrants to Customers that the Product will be free from defects in materials and workmanship during the Warranty Period.

If the Product fails to operate or is defective during the Warranty Period under normal operating conditions as a result of a defect in materials or workmanship, subject to the exceptions set out under the heading **Conditions** below, Franke Australia will, at its discretion either:

- ▶ replace the Product or a component of the Product; or
- ▶ repair the Product or a component of the Product using new, used or refurbished replacement parts.

## Conditions

This Express Warranty does not cover and expressly excludes:

- ▶ damage to the Product or a defect in or failure of the Product resulting directly or indirectly from any of the following:
  - alteration, modification or disassembly of the Product;
  - the Product being used in a way for which it was not designed or in a manner contrary to the instructions provided with the Product (including in respect of maintenance of the Product);
  - abuse, misuse, negligence, willful damage neglect or vandalism;
  - corrosion from environmental conditions or chemical treatments;
  - fire, accident or theft;
  - damage caused while the Product is being transported (except by Franke Australia);
  - external sources, including but not limited to blown fuses, power failure, faulty installation;
  - natural disasters, or other 'acts of God', including but not limited to damage from flooding, drought, lightning, hurricanes, hail, windstorms, earthquakes, tornadoes, gales, cyclones or other causes beyond the control of Franke Australia; or
  - normal wear and tear;
- ▶ scratching, denting, rusting, spotting, discolouration or tampering with the Product. Any imperfections in the finishes or in the natural materials used should not be considered as faults but a typical characteristic of these crafted products;
- ▶ products:
  - used in commercial settings;
  - that were not installed in accordance with the manufacturer's installation instructions, by a qualified installer and licensed plumber or in accordance with any applicable standards published by Standards Australia that apply to the Product; or
  - that were purchased second hand, at auction, or from a person other than an authorised representative of Franke Australia;
- ▶ maintenance or repair performed by unauthorised persons and/or use of spare parts that are not genuine;
- ▶ when the Customer cannot provide documentation evidencing date of purchase of the Product;
- ▶ incidental, indirect or consequential loss or damage including loss of or damage to property, injury to, illness or death of, any person in connection with a Product failure or defect; or
- ▶ product removal or re-installation costs, visits and calls of specialised technicians and costs borne by the Customer due to the unavailability and/or non-use of the Product.
- ▶ the tap installation needs to be done in accordance with **AS/NZS 3500.1-2003 (Clause 3.3.4) specifies 500kPa maximum water supply pressure at any outlet within a building for new installations;**
- ▶ isolation stop taps are to be fitted as stated on manufacturer's installation instructions;
- ▶ pipes need to be flushed before the tap is installed to ensure that the tap is free of impurities.

The Remedy is the sole remedy under this Express Warranty.

Taps conform to AN/NZS6400:2016 Water Efficient Products - Rating and labelling standards.

## Extra Representations

- ▶ No representation or warranty by any person, including a Franke Australia employee or agent, shall be binding to the extent that they are inconsistent with or to the extent that the representation expands this Express Warranty unless expressly incorporated in writing in this document. This Express Warranty supersedes and overrides all prior agreements, representations and warranties made by Franke Australia and its authorised agents.

## Making an Express Warranty Claim

If the Customer becomes aware, or ought reasonably be aware of any defect, damage or deterioration to the Product, the Customer must stop using the Product and promptly report it to Franke Australia within the Warranty Period.

To make a claim under this Express Warranty, please contact Franke Australia by submitting an enquiry HS-customercare.AU@franke.com or (03) 9700 9100 Australia: HS-customercare.NZ@franke.com or (09) 964 0400 New Zealand.

You will need to provide us with:

- 1) model number of your Product;
- 2) details of the problem you have experienced with the Product;
- 3) a copy of your original purchase receipt;
- 4) address details of where the product is installed; and
- 5) any relevant pictures can be attached if lodging the claim online.

Express Warranty claims received after the Warranty Period will not be accepted.

## Expenses

Subject to the following terms, Franke Australia will provide the Remedy to the Customer at its cost:

- ▶ Franke Australia is not responsible for any associated or ancillary costs that you incur as a result of replacement or repair of your Product unless Franke Australia has given its prior written approval.
- ▶ Where a claim has been made under this Express Warranty and the Product is located outside of a 50 km radius from any store where the Product can be purchased from an authorised retail (Warranty Area), you are responsible for the cost of delivery to the nearest service agent or the travel cost for a technician to travel to a location outside the Warranty Area.

## Franke Australia Pty Ltd

83 Bangholme Road  
Dandenong South, VIC 3175, Australia

**Phone:** 03 9700 9100

**Email:** HS-customercare.AU@franke.com

**Website:** www.prkws.com

P.O Box 53171 Auckland Airport  
Auckland 2150 New Zealand

**Phone:** 09 964 0400

**Email:** HS-customercare.NZ@franke.com

**Website:** www.prkws.com



**Australia**

Franke Australia  
Dandenong South VIC 3175  
Phone: +61 3 9700 9100

**New Zealand**

Franke Australia  
Dandenong South VIC 3175  
Phone: +64 9 964 0400