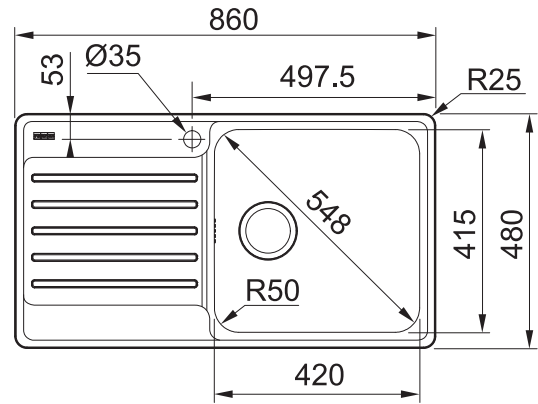


BELL

BCX611LHD



PRODUCT INFORMATION

Installation	Topmount
Dimensions	840 x 480mm
Cabinet Base	600mm
Bowl Size	420 x 415 x 200mm/34L
Bowl Radius	50mm
Cut-Out Size	837 x 457mm, cr=15
Cut-Out Template	No
Waste Outlet	Semi Integrated Waste
Overflow	No
Tap Holes	ø35mm
Remote Waste	No
Finish	Stainless Steel
Warranty	50 Years

ACCESSORIES

— Included Accessory
- - - Available Accessory



DB448
Drainer Basket

- - - -



CB932
Chopping Board

- - - -

NOTE: Cut-out dimensions are a guide only, please use the actual sink as your template.

FEATURES & BENEFITS



Food Preparation Centre



18/10 Stainless Steel



Sound Deadening Pads



Fast Fix Installation

BARE SINK OPTION AND SOME SINK & TAP PACKAGES DO NOT INCLUDE ACCESSORIES. PLEASE CHAT TO YOUR SALES CONSULTANT FOR FURTHER INFORMATION.

LAST UPDATED: 21 SEPTEMBER 2021

BATHROOM COLLECTIVE

Phone Number: (02) 9011-5711

