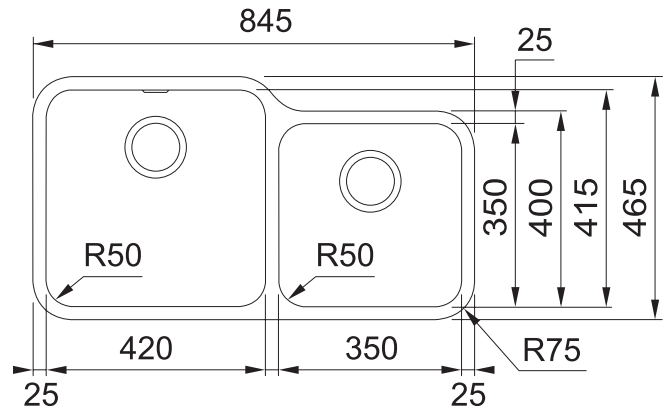


BELL

BCX120-42/35



PRODUCT INFORMATION

Installation	Undermount
Dimensions	845 x 465mm
Cabinet Base	900mm
Bowl Size	420 x 415 x 200mm / 33L 350 x 350 x 180mm / 21L
Bowl Radius	50mm
Cut-Out Size	Template
Cut-Out Template	Yes
Waste Outlet	Semi Integrated Waste
Overflow	Yes
Tap Holes	No
Remote Waste	No
Finish	Stainless Steel
Warranty	50 Years

NOTE: Cut-out dimensions are a guide only, please use the actual sink as your template.

FEATURES & BENEFITS



Food Preparation Centre



18/10 Stainless Steel



Sound Deadening Pads



Fast Fix Installation



Hidden Overflow

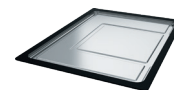
ALL-IN ACCESSORIES (AVAILABLE)

PACK 1					
	Telescopic Bridge	Chopping Board	Small Strainer Bowl	Small Storage Box	Bamboo Lid
PACK 2	All Accessories Included In Pack 1				
			Silicon Drainer Mat		
PACK 3	All Accessories Included In Pack 2				
			Large Strainer Bowl	Storage Container	

ADDITIONAL ACCESSORIES



CB932
Chopping Board



DT360
Extension Drainer



DB448
Drainer Basket

— Included Accessory
- - - Available Accessory

BARE SINK OPTION AND SOME SINK & TAP PACKAGES DO NOT INCLUDE ACCESSORIES. PLEASE CHAT TO YOUR SALES CONSULTANT FOR FURTHER INFORMATION.

LAST UPDATED: 24 JUNE 2022

BATHROOM COLLECTIVE

Phone Number: (02) 9011-5711

