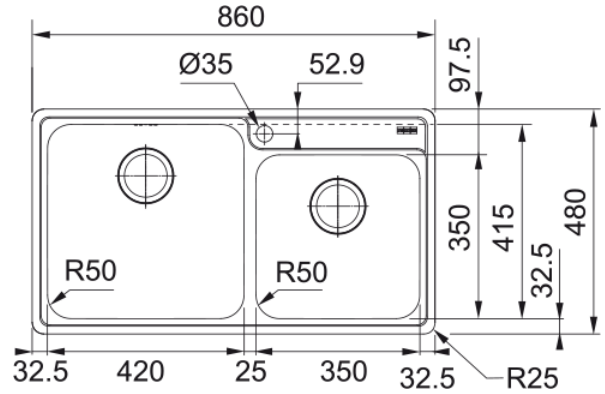


## BCX620-42-35 Bell 1 & 1/2 Bowl Sink | 101.0690.606



Constructed from 18/10 grade stainless steel, it's made to withstand the everyday wear and tear of life in a busy kitchen. Available in left hand and right hand drainer configuration.

### Aspect

Sink type	Bowl (no drainer)
Material type	Stainless steel
Number of bowls	2
Colour	Steel
Finish	Brushed

### Dimensions

Overall length	860.0
Overall depth	480.0
Length	420.0
Depth	415.0
Height	200.0
Bowl 2: length	350.0
Bowl 2: Width	350.0
Bowl 2: height	180.0
Cutout inset: right to left	836.0
Cutout inset: front to back	456.0

### Installation

Cabinet size	90 cm
--------------	-------

### Product features

Installation type	Topmount
Waste outlet	3 1/2"
Position of drainer	No drainer

### Product identification

Brand	FRANKE
Product family	Smart
Range	Bell

### Properties

Drainer	No drainer
Reversible	No
Tap ledge	Yes
Waste kit	Yes
Waste kit type	Manual
Plumbing kit	No
Tap holes	1
Soap dispenser hole	No