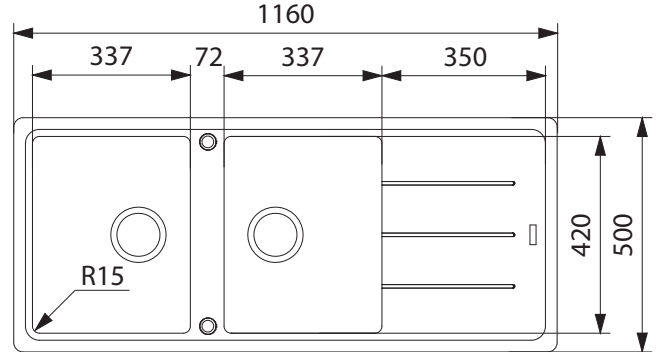


BASIS

BFG621BONYXREV



PRODUCT INFORMATION

Installation	Topmount
Dimensions	1160 x 500mm
Cabinet Base	800mm
Bowl Size	337 x 420 x 190mm/27L (x2)
Bowl Radius	15mm
Cut-Out Size	1144 x 484mm
Cut-Out Template	No
Waste Outlet	Semi Integrated Waste
Overflow	Yes
Tap Holes	ø35mm (Part Drilled)
Remote Waste	No
Finish	Fragranite
Warranty	50 Years

ACCESSORIES

— Included Accessory
 - - - Available Accessory



CB750
Chopping Board

- - - -



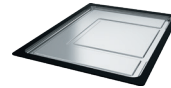
RM44
Rollamat

- - - -



PB835
Push Button Waste

- - - -



DT360
Extension Drainer

- - - -



DB784
Drainer Basket

- - - -

NOTE: Cut-out dimensions are a guide only, please use the actual sink as your template.

FEATURES & BENEFITS



Food Preparation Centre



Fragranite



Hidden Overflow



Sanitized® Surface

BARE SINK OPTION AND SOME SINK & TAP PACKAGES DO NOT INCLUDE ACCESSORIES. PLEASE CHAT TO YOUR SALES CONSULTANT FOR FURTHER INFORMATION.

LAST UPDATED: 18 OCTOBER 2021

BATHROOM COLLECTIVE

Phone Number: (02) 9011-5711

