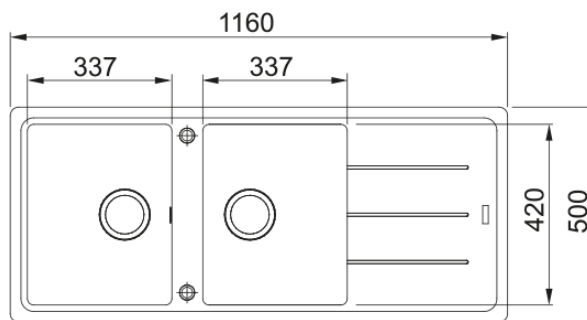


## BFG621MB Basis MB Double Bowl Sink | 114.0684.015



Constructed from 80% quartz sand and 20% durable acrylic resin, a Franke Fragranite sink adds a touch of elegance to any kitchen with its subtle shine. Designed for busy households, this material is highly resistant to temperatures of up to 280° Celsius.

### Aspect

Sink type	Sink (w/ drainer)
Material type	Granite
Number of bowls	2
Colour	Matte black
Finish	None

### Dimensions

Overall length	1160.0
Overall depth	500.0
Length	337.0
Depth	420.0
Height	200.0
Bowl 2: length	337.0
Bowl 2: Width	420.0
Bowl 2: height	200.0
Cutout inset: right to left	1140.0
Cutout inset: front to back	480.0

### Installation

Cabinet size	80 cm
--------------	-------

### Product features

Installation type	Topmount
Waste outlet	3 1/2"
Position of drainer	Reversible drainer

### Product identification

Brand	FRANKE
Product family	Maris
Range	Basis

### Properties

Drainer	1
Reversible	Yes
Tap ledge	Yes
Waste kit	Yes
Waste kit type	Automatic-push knob
Plumbing kit	No
Tap holes	2 - pre drilled
Soap dispenser hole	No