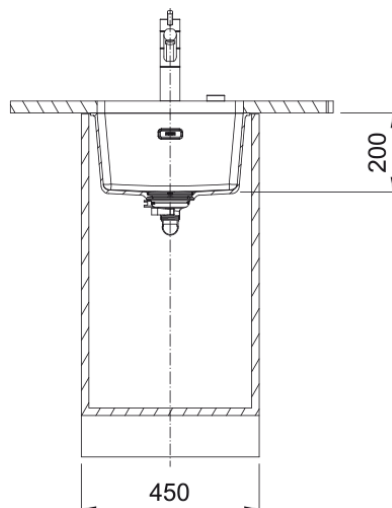


# Maris MRG 110-37 Stone Grey | 125.0688.499



## Technical Data

### Product Information

Sink type	Bowl (no drainer)
Type of material	Granite
Number of bowls	1
Color	Stone grey
Finish	None

### Dimensions

External size: right to left	403.0
External size: front to back	433.0
Bowl 1 size: right to left	370.0
Bowl 1 size: front to back	400.0
Bowl 1: depth	200.0

### Installation

Minimum cabinet size	45 cm
----------------------	-------

### Product specifications

Installation type	Undermount
Waste outlet	3 1/2"
Position of drainer	No drainer

### Product Identification

Product brand	FRANKE
Product family	Maris
Model range	Maris
Approval logo	UKCA
Approval logo	CE

### Properties

Drainers number	No drainer
Product reversibility	No
Tap ledge	No

Maris MRG 110-37 Stone Grey | <http://www.franke.co.uk> | 2023-06-14

**BATHROOM COLLECTIVE**

Phone Number: (02) 9011-5711



Waste kit include	Yes
Waste kit type	Manual
Siphon included	No
Number of tap holes	No tap hole
Soap dispenser hole	No