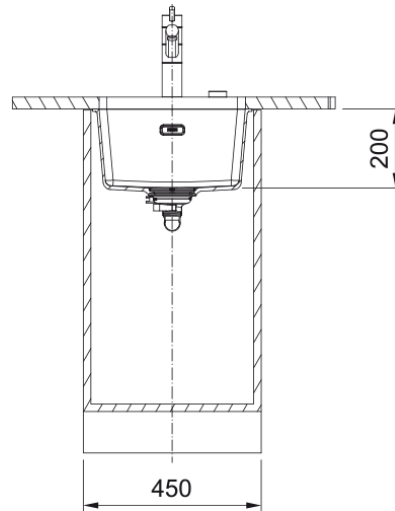


Maris MRG 110-37 Stone Grey | 125.0688.499



Technical Data

Product Information

Sink type	Bowl (no drainer)
Type of material	Granite
Number of bowls	1
Color	Stone grey
Finish	None

Dimensions

External size: right to left	403.0
External size: front to back	433.0
Bowl 1 size: right to left	370.0
Bowl 1 size: front to back	400.0
Bowl 1: depth	200.0

Installation

Minimum cabinet size	45 cm
----------------------	-------

Product specifications

Installation type	Undermount
Waste outlet	3 1/2"
Position of drainer	No drainer

Product Identification

Product brand	FRANKE
Product family	Maris
Model range	Maris
Approval logo	UKCA
Approval logo	CE

Properties

Drainers number	No drainer
Product reversibility	No
Tap ledge	No

Maris MRG 110-37 Stone Grey | <http://www.franke.co.uk> | 2023-06-14

BATHROOM COLLECTIVE

Phone Number: (02) 9011-5711



Waste kit include	Yes
Waste kit type	Manual
Siphon included	No
Number of tap holes	No tap hole
Soap dispenser hole	No