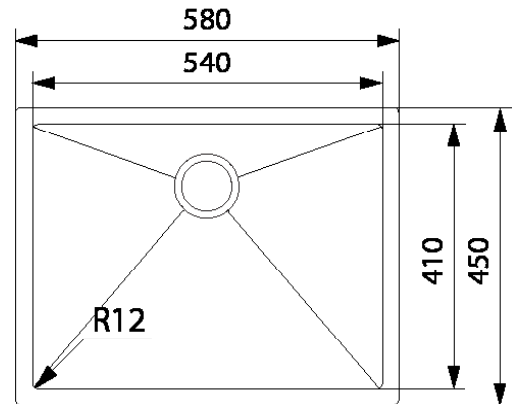


PLANAR LAUNDRY TUB

PPX210-54LTB



PRODUCT INFORMATION

Installation	Topmount/Flushmount/Undermount
Dimensions	580 x 450mm
Cabinet Base	600mm
Bowl Size	540 x 410 x 250mm/55L
Bowl Radius	12mm
Cut-Out Size	Template
Cut-Out Template	Yes
Waste Outlet	Semi Integrated Waste
Overflow	Yes
Tap Holes	No
Remote Waste	No
Finish	Stainless Steel
Warranty	50 Years

NOTE: Cut-out dimensions are a guide only, please use the actual sink as your template.

FEATURES & BENEFITS



18/10
Stainless
Steel



Sound
Deadening
Pads



Waste To
Rear Of
Bowl



Flushmount
Finish



Franke Bowl
Insulation

BARE SINK OPTION AND SOME SINK & TAP PACKAGES DO NOT INCLUDE ACCESSORIES.
PLEASE CHAT TO YOUR SALES CONSULTANT FOR FURTHER INFORMATION.

LAST UPDATED: 22 OCTOBER 2024

BATHROOM COLLECTIVE

Phone Number: (02) 9011-5711

