

# URBAN

UBG611-100 REV



UBG611-100 MB REV



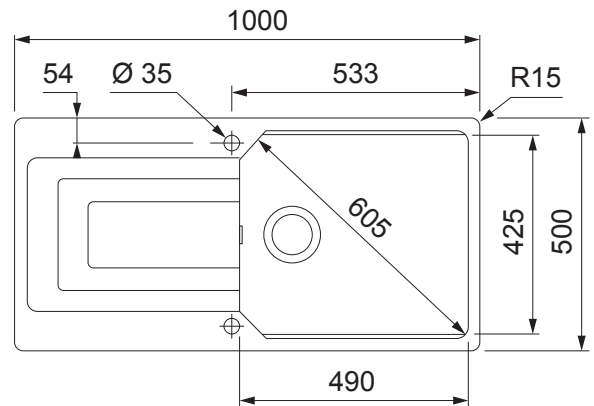
UBG611-100 ON REV



UBG611-100 PW REV



UBG611-100 SG REV



## PRODUCT INFORMATION

<b>Installation</b>	Topmount
<b>Dimensions</b>	1000 x 500mm
<b>Cabinet Base</b>	600mm
<b>Bowl Size</b>	490 x 425 x 210mm / 43L
<b>Bowl Radius</b>	15mm
<b>Cut-Out Size</b>	964 x 464mm, cr=15
<b>Cut-Out Template</b>	No
<b>Waste Outlet</b>	Semi Integrated Waste
<b>Overflow</b>	Yes
<b>Tap Holes</b>	ø35mm
<b>Remote Waste</b>	No
<b>Finish</b>	Fragranite
<b>Warranty</b>	50 Years

**NOTE:** Cut-out dimensions are a guide only, please use the actual sink as your template.

## FEATURES & BENEFITS



Food Preparation Centre



Fragranite



Fast Fix Installation



Franke Overflow



Sanitized® Surface

## ALL-IN ACCESSORIES (AVAILABLE)

<b>PACK 1</b>	<p>Telescopic Bridge Chopping Board Small Strainer Bowl Small Storage Box Bamboo Lid</p>
<b>PACK 2</b>	<p>All Accessories Included In Pack 1 + Silicon Drainer Mat</p>
<b>PACK 3</b>	<p>All Accessories Included In Pack 2 + Large Strainer Bowl Storage Container</p>

## ADDITIONAL ACCESSORIES

— Included Accessory  
- - - Available Accessory



**DT360**  
Extension Drainer



**DB664**  
Drainer Basket



**RM44**  
Rollamat

BARE SINK OPTION AND SOME SINK & TAP PACKAGES DO NOT INCLUDE ACCESSORIES. PLEASE CHAT TO YOUR SALES CONSULTANT FOR FURTHER INFORMATION.

LAST UPDATED: 10 JUNE 2022

**BATHROOM COLLECTIVE**

Phone Number: (02) 9011-5711

