

URBAN

UBG611-100 REV



UBG611-100 MB REV



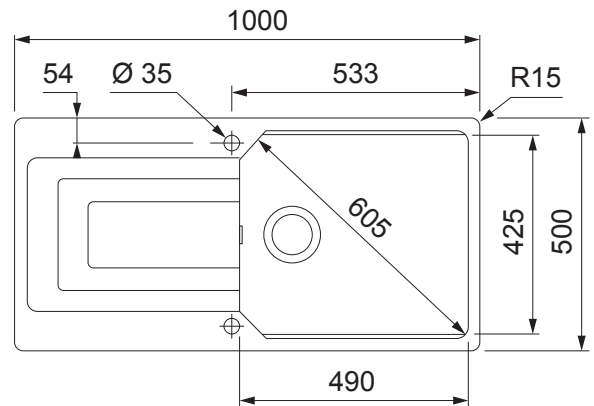
UBG611-100 ON REV



UBG611-100 PW REV



UBG611-100 SG REV



PRODUCT INFORMATION

Installation	Topmount
Dimensions	1000 x 500mm
Cabinet Base	600mm
Bowl Size	490 x 425 x 210mm / 43L
Bowl Radius	15mm
Cut-Out Size	964 x 464mm, cr=15
Cut-Out Template	No
Waste Outlet	Semi Integrated Waste
Overflow	Yes
Tap Holes	ø35mm
Remote Waste	No
Finish	Fragranite
Warranty	50 Years

NOTE: Cut-out dimensions are a guide only, please use the actual sink as your template.

FEATURES & BENEFITS



Food Preparation Centre



Fragranite



Fast Fix Installation



Franke Overflow



Sanitized® Surface

ALL-IN ACCESSORIES (AVAILABLE)

PACK 1					
	Telescopic Bridge	Chopping Board	Small Strainer Bowl	Small Storage Box	Bamboo Lid
PACK 2	All Accessories Included In Pack 1				
			Silicon Drainer Mat		
PACK 3	All Accessories Included In Pack 2				
			Large Strainer Bowl	Storage Container	

ADDITIONAL ACCESSORIES



DT360
Extension Drainer



DB664
Drainer Basket



RM44
Rollamat

— Included Accessory
- - - Available Accessory

BARE SINK OPTION AND SOME SINK & TAP PACKAGES DO NOT INCLUDE ACCESSORIES. PLEASE CHAT TO YOUR SALES CONSULTANT FOR FURTHER INFORMATION.

LAST UPDATED: 10 JUNE 2022

BATHROOM COLLECTIVE

Phone Number: (02) 9011-5711

