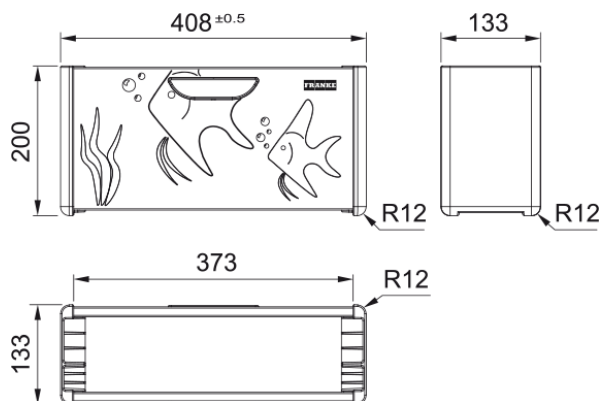


BOX ACCESSORY Andy Chef Stainless Steel | 112.0619.946



Technical Data

Product Information

Type of material	Stainless steel
Color	Stainless steel
Consumable sub-category	Strainer bowl
Consumable sub-category	Chopping board
Consumable sub-category	Knife

BOX ACCESSORY Andy Chef Stainless Steel | 2024-04-07



BATHROOM COLLECTIVE

Phone Number: (02) 9011-5711