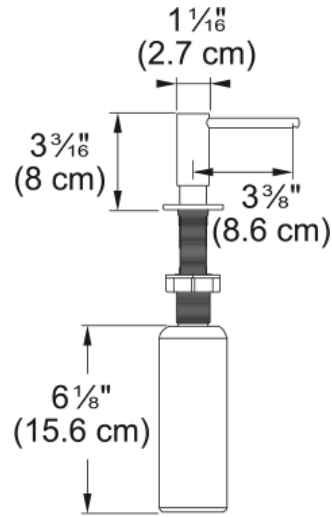


SD3450SS Atlas Soap Dispenser | 112.0625.483



ATLAS Soap Dispenser Brushed Stainless.

Aspect

Material type	Stainless steel 316
Colour	Stainless steel
Sub-category	Soap dispenser

Product identification

Product family	Mythos
Family	Atlas

SD3450SS Atlas Soap Dispenser | 2025-05-12



BATHROOM COLLECTIVE

Phone Number: (02) 9011-5711