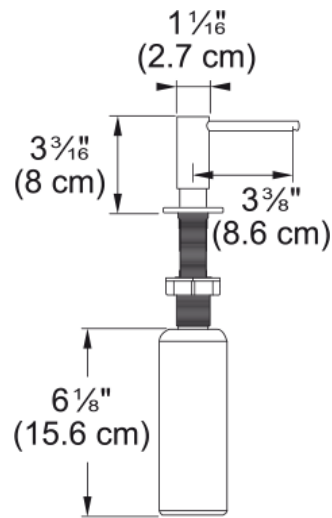


SD3425BSS Atlas Soap Dispenser | 112.0625.484



ATLAS Soap Dispenser Industrial Black.

Aspect

Material type	Stainless steel 316
Colour	Industrial black
Sub-category	Soap dispenser

Product identification

Product family	Mythos
Family	Atlas

SD3425BSS Atlas Soap Dispenser | 2025-05-12



BATHROOM COLLECTIVE

Phone Number: (02) 9011-5711