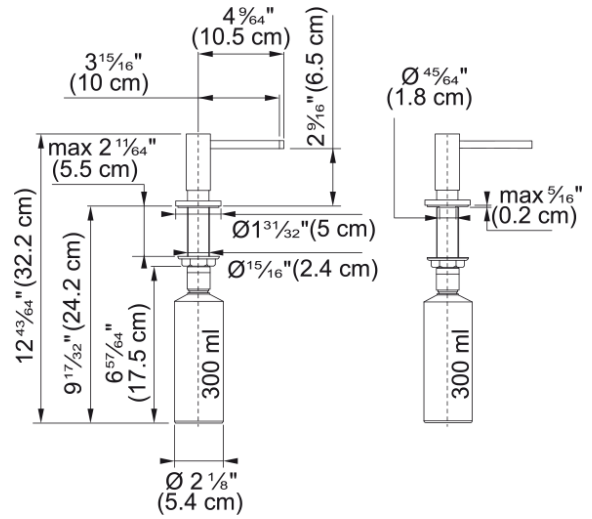


SD906 Active Matte Black Soap Dispenser | 119.0547.906



SD906 Soap Dispenser Active Matte Black 300ml.

Aspect

| | |
|---------------|----------------|
| Material type | Brass |
| Colour | Matte black |
| Sub-category | Soap dispenser |

Product identification

| | |
|----------------|--------|
| Product family | None |
| Family | Active |

SD906 Active Matte Black Soap Dispenser | 2025-05-12



BATHROOM COLLECTIVE

Phone Number: (02) 9011-5711