

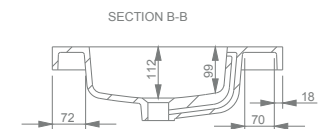
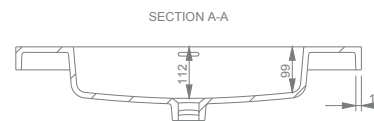
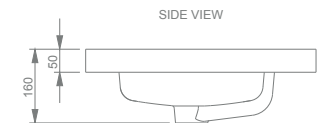
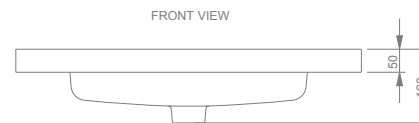
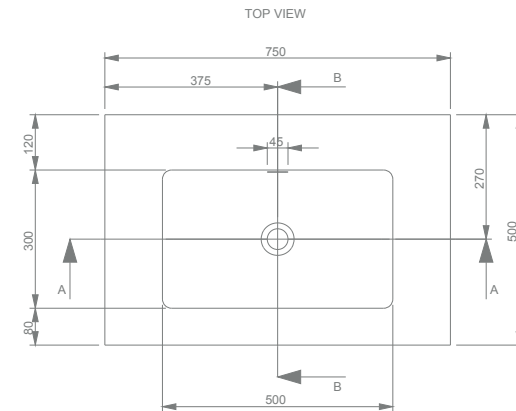
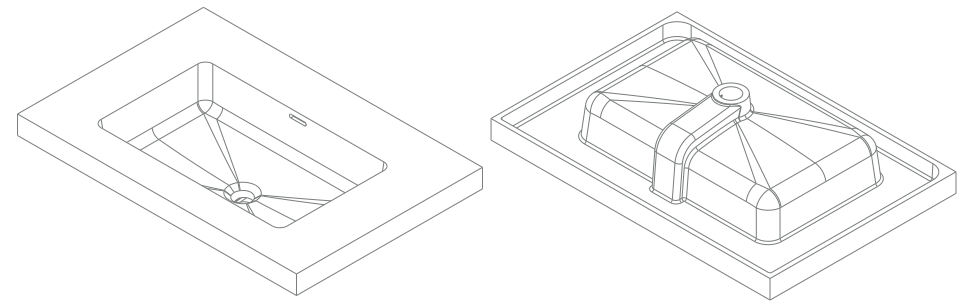


# Obe Integrated Basin

750mm x 500mm x 50mm - single  
32mm + 40mm waste  
White

Loughlin  
Furniture

Made from modified acrylic the Obe range is comprised of 100% acrylic resin and is a solid, non-porous, homogeneous material which has excellent antibacterial and anti-staining properties.



\*all sizes in mm

\*we recommend that our basins are installed by a licensed contractor

\*basin takes both 32mm and 40mm wastes

\*includes white push down plug and waste to match

**BATHROOM COLLECTIVE**

Phone Number: (02) 9011-5711

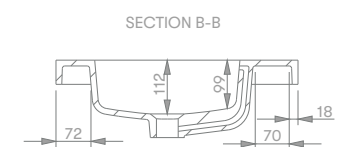
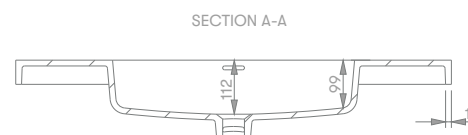
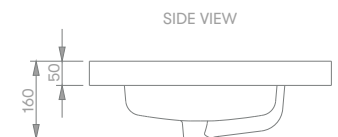
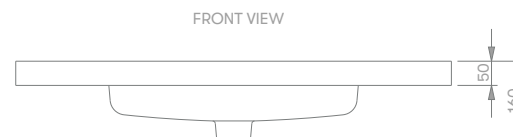
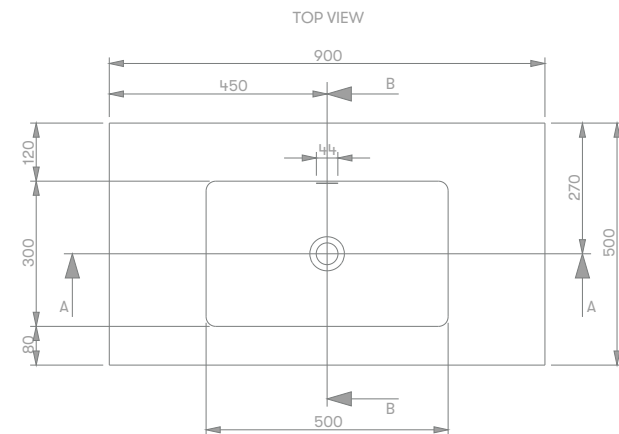
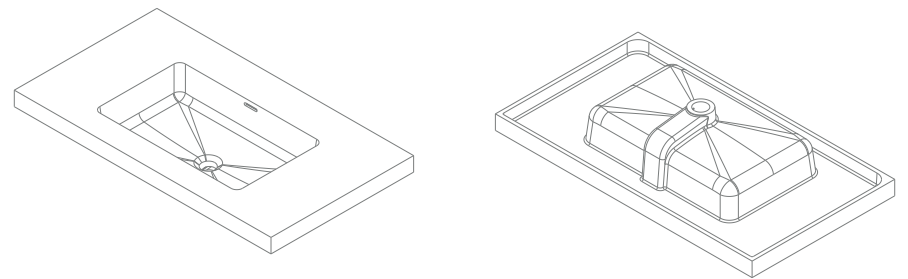


# Obe Integrated Basin

900mm x 500mm x 50mm - single  
32mm + 40mm waste  
White

Loughlin  
Furniture

Made from modified acrylic the Obe range is comprised of 100% acrylic resin and is a solid, non-porous, homogeneous material which has excellent antibacterial and anti-staining properties.



\*all sizes in mm  
\*we recommend that our basins are installed by a licensed contractor  
\*basin takes both 32mm and 40mm wastes  
\*includes white push down plug and waste to match

**BATHROOM COLLECTIVE**

Phone Number: (02) 9011-5711

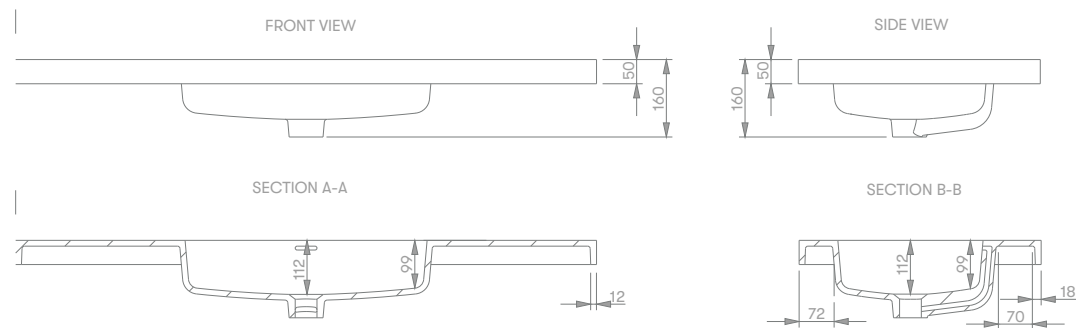
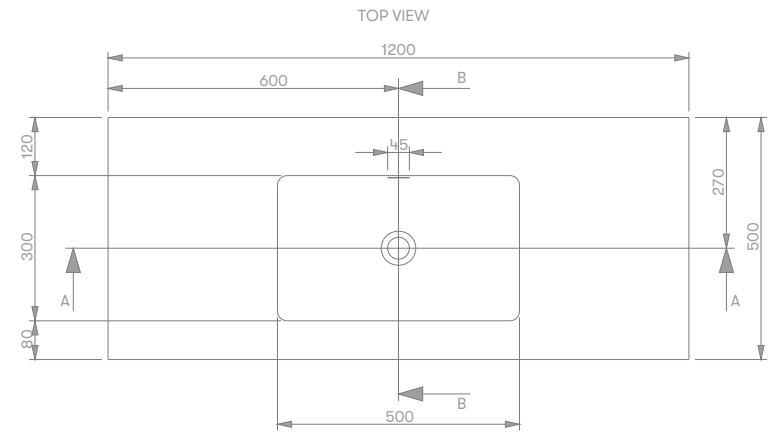
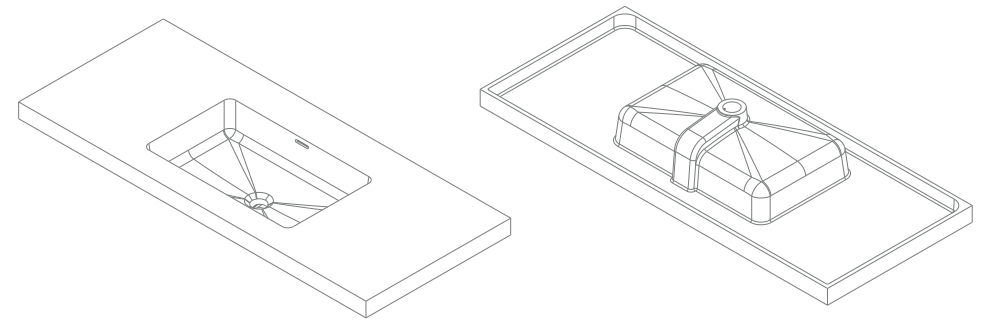


# Obe Integrated Basin

1200mm x 500mm x 50mm - single  
32mm + 40mm waste  
White

Loughlin  
Furniture

Made from modified acrylic the Obe range is comprised of 100% acrylic resin and is a solid, non-porous, homogeneous material which has excellent antibacterial and anti-staining properties.



\*all sizes in mm

\*we recommend that our basins are installed by a licensed contractor

\*basin takes both 32mm and 40mm wastes

\*includes white push down plug and waste to match

**BATHROOM COLLECTIVE**

Phone Number: (02) 9011-5711

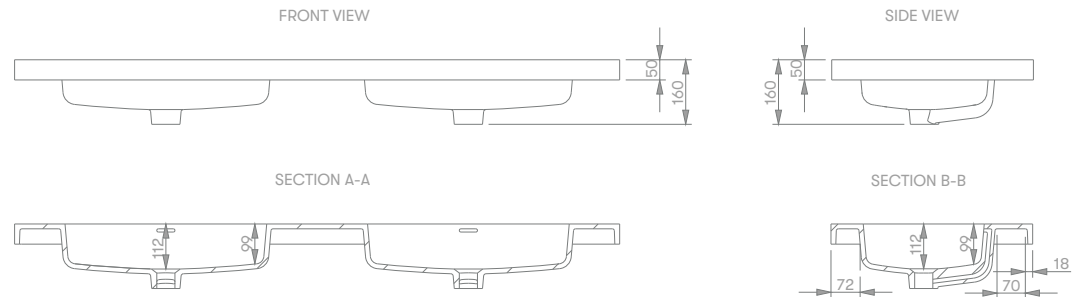
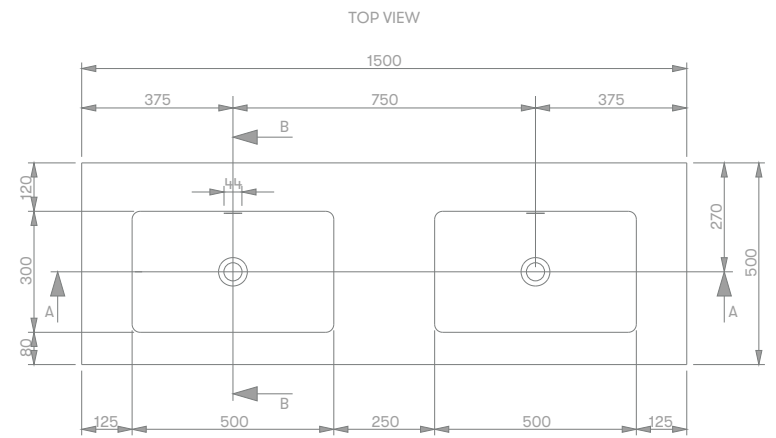
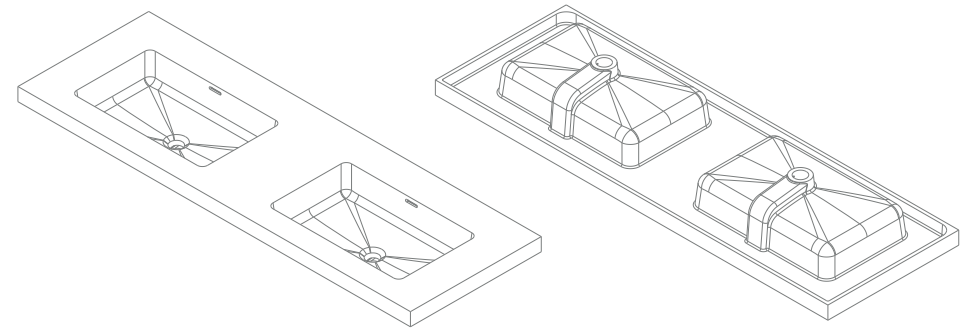


# Obe Integrated Basin

1500mm x 500mm x 50mm - double  
32mm + 40mm waste  
White

Loughlin  
Furniture

Made from modified acrylic the Obe range is comprised of 100% acrylic resin and is a solid, non-porous, homogeneous material which has excellent antibacterial and anti-staining properties.



## BATHROOM COLLECTIVE

Phone Number: (02) 9011-5711

\*all sizes in mm

\*we recommend that our basins are installed by a licensed contractor

\*basin takes both 32mm and 40mm wastes

\*includes white push down plug and waste to match

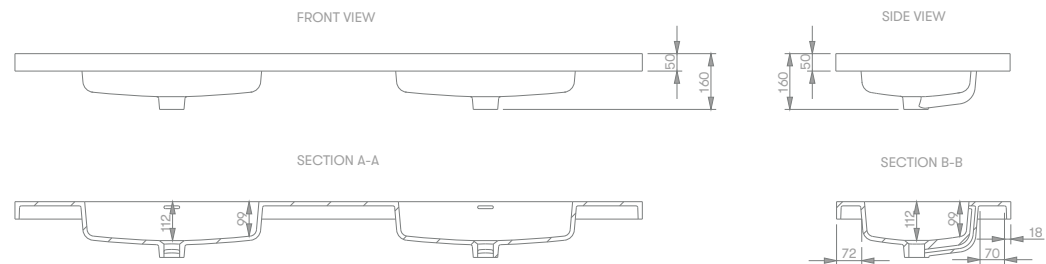
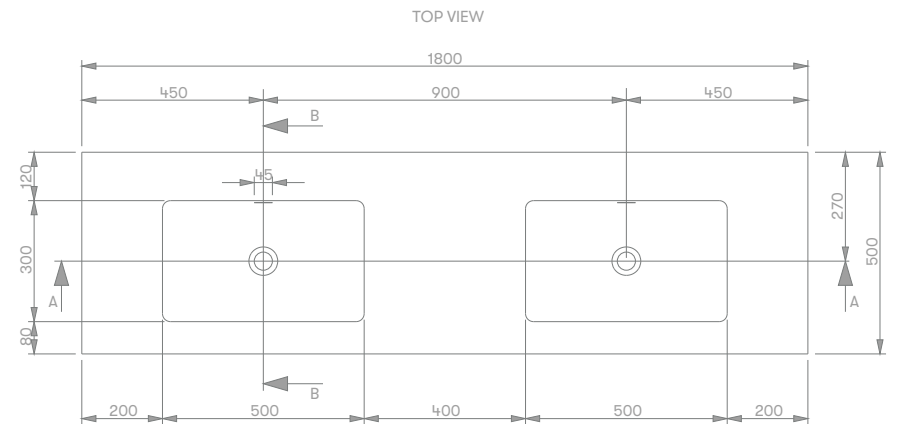
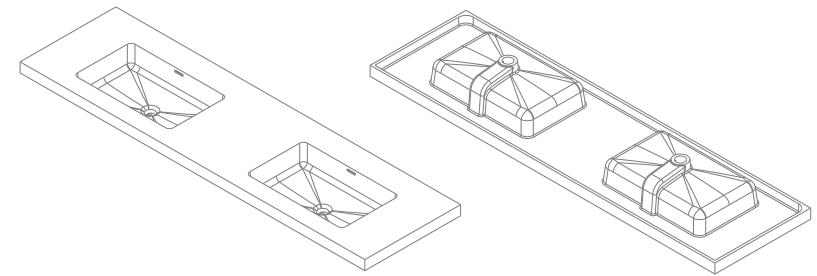


# Obe Integrated Basin

1800mm x 500mm x 50mm - double  
32mm + 40mm waste  
White

Loughlin  
Furniture

Made from modified acrylic the Obe range is comprised of 100% acrylic resin and is a solid, non-porous, homogeneous material which has excellent antibacterial and anti-staining properties.



\*all sizes in mm  
\*we recommend that our basins are installed by a licensed contractor  
\*basin takes both 32mm and 40mm wastes  
\*includes white push down plug and waste to match

**BATHROOM COLLECTIVE**

Phone Number: (02) 9011-5711