

the
Hammock Bath
company



The Hammock Bath: 3 designs in 2 styles

3 DESIGNS

MIRAGE (free-standing model)

OASIS (hanging model between your own walls)

HAVEN (hanging model between powder coat steel frames supplied)

2 STYLES

SLIMLINE : original design

MARK II : deep soaking tub

4 COLORS

ALABASTER (matt white)

DOVE (matt light grey)

EBONY (matt black)

FLOWER (alabaster on the inside hand painted motif on the outside)

2 SIZES

2 metres x 1 metre (78.75" x 39.37")

1.8 metres x 0.9 metres (70.86" x 34.43")

The Oasis Hammock Bath

The Oasis Hammock Bath hangs between solid brick walls.
Supplied with 2 large steel brackets that
are dyna bolted to the inside of the brick wall.



**The Oasis Slimline
Hammock Bath
HBO2.0**



**The Oasis Mark II
Hammock Bath - deep soaking
HBO1.8 M II & HBO2.0 M II**

The Haven Hammock Bath

The Haven Hammock Bath comes with 2 black powder-coat steel frames. The black powder-coat steel frames can be exposed or covered with stone, tiles or a timber finish. The Haven Mark II comes with a curved steel brace located at the rear side of the Hammock Bath.

The curved steel brace is only required if installed on a timber floor or free-standing situation. If installed on a concrete slab the curved steel brace is not required.



**The Haven Slimline
Hammock Bath
HBH2.0**



**The Haven Mark II
Hammock Bath - deep soaking
HBH1.8 M II & HBH2.0 M II**

The Mirage Hammock Bath

The Mirage Hammock Bath is free-standing with a pedestal base.
Installation is as per any free-standing bath.



**The Mirage Slimline
Hammock Bath
HBM2.0**



**The Mirage Mark II
Hammock Bath - deep soaking
HBM1.8 M II & HBM2.0 M II**

The 4 colours available



Alabaster (matt white)



Dove (matt grey)



Ebony (matt black)



Flower is hand painted motif on the outside and Alabaster (matt white) on the inside



During production of the Flower hand painted motif



For your upcoming project, we can hand paint your custom design to suit your hotel or resort theme.







Mark II Hammock Bath

2.0m (78.75") or 1.8m (70.86")

Mark II 2.0 sizes

Mark II 1.8 sizes

1.0m (39.4")

0.9m (34.4")

Mark II 2.0
2m x 1.0m

Mark II 1.8
1.8m x 0.9m

612mm (24.09")

582mm (22.91")

692mm (27.24") to floor

662mm (26.06") to floor

612mm (24.09")

582mm (22.91")

692mm (27.24") to floor

1.0m (39.4")

662mm (26.06") to floor



The Haven Mark II includes a curved brace located on the rear side (as viewed above) which is only needed when installed on a timber floor.

Haven Mark II

curved steel brace rear view



Alabaster (A)



Dove (D)



Ebony (E)



Flower (F)

Slimline Hammock Bath

2.0m (78.75")

Slimline 2.0 sizes

1.0m (39.4")

Slimline 2.0
2.0m x 1.0m

543mm (21.37")

643mm (25.31") to floor

543mm (21.37")

643mm (25.31") to floor

1.0m (39.4")

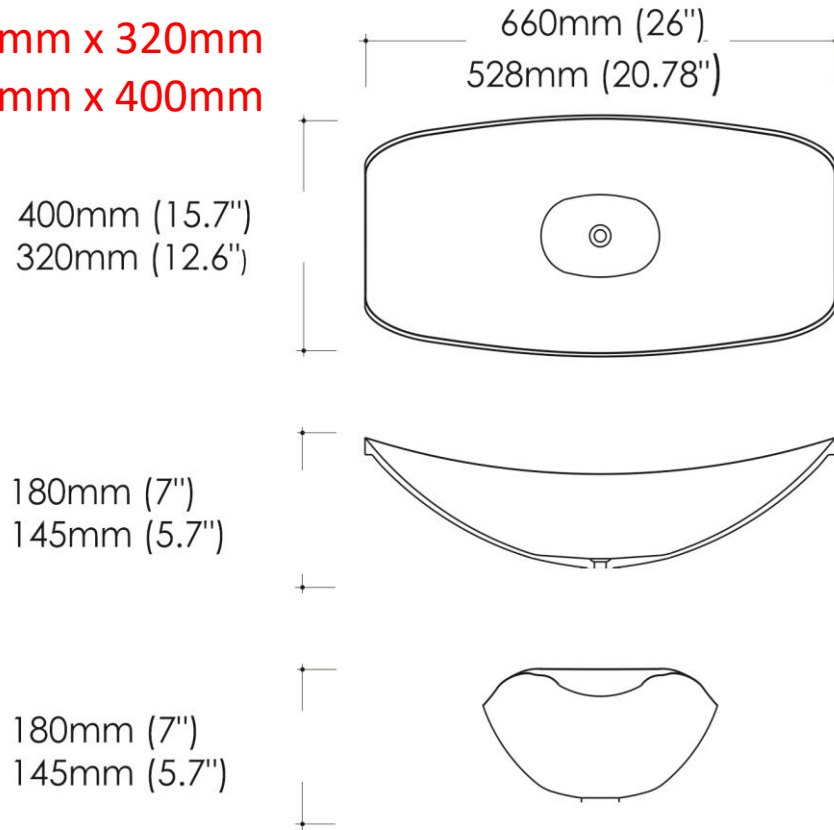
The main difference between the Mark II 2.0 & Slimline 2.0 models are The Mark II's bathing depth is 137mm (5.4") deeper than The Slimline

4 Colours

HAMMOCK BASIN

2 sizes : HB528 & HB660

HB528 - 528mm x 320mm
HB660 - 660mm x 400mm



4 Colours



Alabaster (A)



Dove (D)



Ebony (E)



Flower (F)



The Hammock Bath is made from **solid surface**, a premium material.

Some solid surface features :

Non-porous

Stain resistant

Seamless joins

Minimal maintenance

Hygienic Anti-Bacterial

Looks great and feels luxurious

Retains heat of the water

The benefits of a Hotel or Resorts design including The Hammock Bath.

The Hammock Bath will be the photo opportunity for you upcoming hotel or resort. These days with the internet, potential travellers are looking for that something different in their hotel or resort stay. To get a potential traveller to commit to staying at your hotel or resort it could be the hotel name, the bar, the entry foyer, the swimming pool, breakfast area or it could be The Hammock Bath in your magnificent bathroom. Every hotel & resort relies on these photo opportunities to create interest and of course the reviews that go with it. The reviews of The Hammock Bath will be spectacular and create huge interest plus having some great photos to entice travellers to stay at your hotel or resort.

DRAINING THE HAMMOCK BATH

The **Mirage** waste is connected as per any standard free-standing tub.

The **Oasis & Haven** wastes are connected in a few methods:

1. via a hard pipe connection and can be covered by 2 semi circle covers provided
2. locate a drain directly under the waste outlet with a small sump pit directly under it
3. drain the water from the bath directly onto the tiled floor and have the tiles fall towards a linear drain.



THE MIRAGE
Draining is connected as
per any free standing bath



THE OASIS / HAVEN
Draining via a hard pipe
connection from the bath outlet



THE OASIS / HAVEN

Draining directly onto the tiles and have a slight fall from the tiles to a linear drain



THE HAVEN / OASIS

Draining to a square grate located under the outlet of the bath with a small sump pit under the floor



Drain located under the outlet of the bath



Sump located under the floor

THE MIRAGE HAMMOCK BATH INSTALLATION

The Mirage Hammock Bath is installed just as any free-standing bathtub. A flexible bath waste is supplied. Once the plumbing is connected the pedestal base is silicone in position.

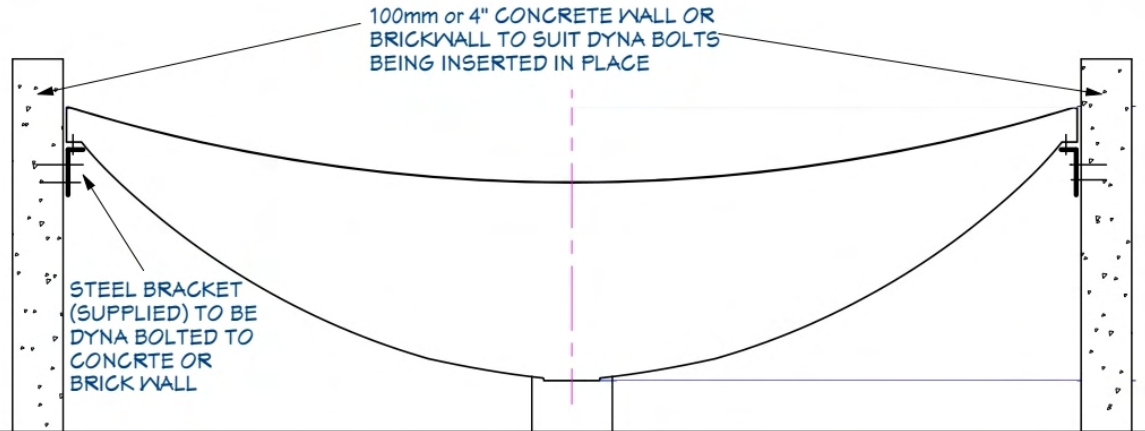


THE OASIS HAMMOCK BATH INSTALLATION

The Oasis Hammock Bath hangs between 2 walls you provide (usually brick or concrete). Supplied are 2 x stainless steel brackets to connect to the wall using dyna bolts. The Oasis Hammock Bath sits on the ledge of the stainless steel brackets. The builder builds the brick or concrete walls



Stainless steel brackets supplied



OASIS SLIMLINE OR MARK II INSTALLATION

This is a fixed to wall installation

1. Build a double brick or concrete wall that is stable and strong enough to support the bathtub.
2. This may need to be checked by your engineer. The bathtub weights approximately 150 kg plus approx (empty) + 150 litres of water + 2 possibly 2 people.
3. The walls will need to be either 1.8 metres or 2 metres apart (depending on the design and style you choose) plus any wall thickness you may want include. For example tiles or stone.
4. If you choose tiles or stone to go over your wall then the finished surfaces should be 1.8 metres or 2 metres apart + allow 1mm each side for tolerance.
5. Remove bath from crate carefully, usually by removing the top cover then with a hammer or claw bar remove one side.
6. Have the bath close to where you want to install it
7. Place bath on a 80mm high support for the Mark II designs or 100mm support for the Slimline design, this can be small pieces of timber 20mm each to add up to the height needed on top of each other enough to go under the centre of the outlet of the bath to lift it slightly off the floor during installation process
8. Remove the stainless steel brackets that are currently delivered with the bath.
9. Measure the underside of the ledge on the bath where the stainless steel bracket fits and then dyna bolt the stainless steel brackets level (double check that the brackets are level) to the brick or concrete wall you have built to suit.
10. Check and tighten all bolts
11. Under the bath we provide 2 semi circle covers which should be installed to cover the fixed waste pipe. These may need to be cut to suit if you have lowered the height at all.

THE HAVEN HAMMOCK BATH INSTALLATION

The Haven Hammock Bath hangs between two black powder coated steel frames provided.

The Haven includes a curved steel brace which hangs between the steel frames on the rear side of the Hammock Bath out of view.

These steel frames are dyna bolted to a concrete slab and stainless steel brackets supplied are fixed to these frames and the Hammock Bath sits on the ledge of the stainless steel brackets. If the Haven is installed on a timber floor or is installed or just free standing and not dyna bolted to a concrete slab the curved steel brace is required. The curved steel brace is also black powder coat and is barely visible being located on the rear side of the Hammock Bath.



Stainless steel brackets attached
To black powder coat steel frame



Curved steel brace only required for a
timber floor or free standing installation
Located on the rear side and barely visible
from the front



Base of steel frame where dyna bolts
Are installed into the concrete floor.
Also showing are the plastic covers



Curved brace
connected
to steel frame



Black powder
coat upright steel
frame supplied

HAVEN MARK II FREE STANDING INSTALLATION – TIMBER FLOOR OR CONCRTE SLAB (not fixed)

The free standing installation is on a timber floor construction or on a concrete slab but the upright steel frames are not fixed to the floor

1. Remove bath from crate carefully, usually by removing the top cover then with a hammer or claw bar remove one side.
2. Have the bath close to where you want to install it
3. Place bath on a 80mm high support, this can be small pieces of timber 20mm each to add up to 80mm on top of each other enough to go under the centre of the outlet of the bath to lift it slightly off the floor during installation process
4. Remove carefully the 2 small boxes with the upright steel frames
5. Place the upright steel frames flat on the ground each side of the bath
6. Stand one upright steel frame at the end and the holes should be close to lining up to the stainless steel bracket. (if the bath is raised by 80mm)
Ensure that the small holes on one side of the upright steel frame are facing the backside of the bath, these holes are to connect the curved brace.
Bolt the upright steel frame to the stainless steel bracket attached to the bath with the bolts provided.
7. Stand the other upright steel frame and bolt this to the other side of the bath.
8. Remove the 80mm support pieces of timber under the bath you provided.
9. Gather the curved steel brace and bolt the U shaped steel base support to the curved steel brace at the bottom with the bolts provided away from the bath area.
The position can go slightly up or down to suit so the base support is under the bottom of the bath and should be adjusted during this installation of the curved brace,
10. Bolt the curved steel brace last to the upright steel frames with the bolts provided.
11. Check and tighten all bolts
12. Put small plastic covers provided over the various holes.

HAVEN MARK II FIXED INSTALLATION –CONCRTE SLAB (fixed)

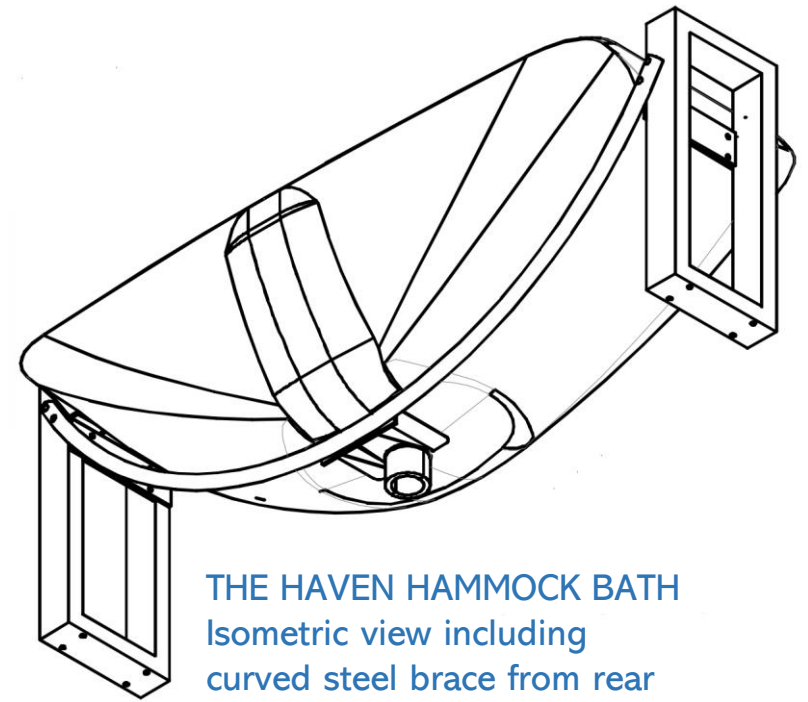
The free standing installation is on a timber floor construction or on a concrete slab but the upright steel frames are not fixed to the floor

1. Remove bath from crate carefully, usually by removing the top cover then with a hammer or claw bar remove one side.
2. Have the bath close to where you want to install it
3. Place bath on a 80mm high support, this can be small pieces of timber 20mm each to add up to 80mm on top of each other enough to go under the centre of the outlet of the bath to lift it slightly off the floor during installation process
4. Remove carefully the 2 small boxes with the upright steel frames
5. Place the upright steel frames flat on the ground each side of the bath
6. Stand one upright steel frame at the end and the holes should be close to lining up to the stainless steel bracket. (if the bath is raised by 80mm)
Ensure that the small holes on one side of the upright steel frame are facing the backside of the bath, these holes are to connect the curved brace.
Bolt the upright steel frame to the stainless steel bracket attached to the bath with the bolts provided.
7. Stand the other upright steel frame and bolt this to the other side of the bath.
8. Dyna bolt both steel frames to the concrete slab
9. Remove the 80mm support pieces of timber under the bath you provided.
10. Gather the curved steel brace and bolt the U shaped steel base support to the curved steel brace at the bottom with the bolts provided away from the bath area.
The position can go slightly up or down to suit so the base support is under the bottom of the bath and should be adjusted during this installation of the curved brace,
11. Bolt the curved steel brace last to the upright steel frames with the bolts provided.
12. Check and tighten all bolts
13. Put small plastic covers provided over the various holes. Dyna bolt the base of the upright steel frames to the concrete slab

Never drag or push the steel frames once connected to the stainless steel brackets attached to the bathtub, this may damage the bathtub and is not covered by warranty for faulty installation process. If the bath needs to be shifted into position after the upright steel frames are connected it needs to be lifted and shifted carefully



THE HAVEN HAMMOCK BATH
With the curved steel brace installed
As view from the rear side



THE HAVEN HAMMOCK BATH
Isometric view including
curved steel brace from rear

THE HAVEN HAMMOCK BATH
With the steel brace installed
As view from the front side
(not visible)



THE HAMMOCK BATH COLLECTION

MIRAGE SLIMLINE

HBM2.0A alabaster
HBM2.0D dove
HBM2.0E ebony
HBM2.0F flower

OASIS SLIMLINE

HBO2.0A alabaster
HBO2.0D dove
HBO2.0E ebony
HBO2.0F flower

HAVEN SLIMLINE

HBH2.0A alabaster
HBH2.0D dove
HBH2.0E ebony
HBH2.0F flower

MIRAGE MARK II

HBM1.8A M II alabaster
HBM1.8D M II dove
HBM1.8E M II ebony
HBM1.8F M II flower
HBM2.0A M II alabaster
HBM2.0D M II dove
HBM2.0E M II ebony
HBM2.0F M II flower

OASIS MARK II

HBO1.8A M II alabaster
HBO1.8D M II dove
HBO1.8E M II ebony
HBO1.8F M II flower
HBO2.0A M II alabaster
HBO2.0D M II dove
HBO2.0E M II ebony
HBO2.0F M II flower

HAVEN MARK II

HBH1.8A M II alabaster
HBH1.8D M II dove
HBH1.8E M II ebony
HBH1.8F M II flower
HBH2.0A M II alabaster
HBH2.0D M II dove
HBH2.0E M II ebony
HBH2.0F M II flower







the
Hammock Bath
company

The Hammock Bath
is a registered design
& mark pending in US

BATHROOM COLLECTIVE

hammockbath.com